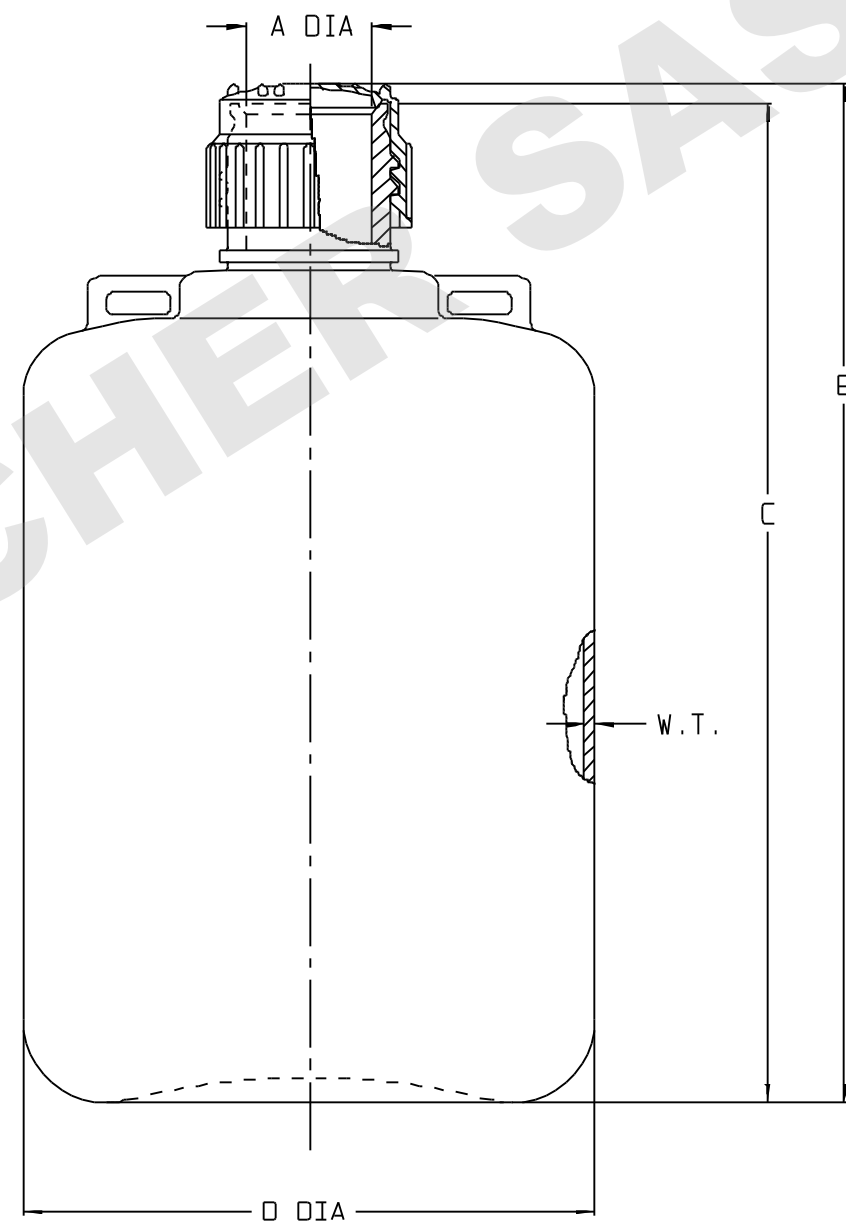


CATALOG NO.	NOMINAL CAPACITY (GAL)	MATERIALS		
		CARBOY	CLOSURE	GASKET
332289-0050*	5.5	HDPE	WHITE PP	NONE
342289-0050*	5.5	HDPE	WHITE PP	NONE

* 332289-0050 IS A NON-STERILE PRODUCT
342289-0050 IS A STERILE PRODUCT

SIZE CODE.....	-0050	
SIZE (NOM VOL L/GAL):	20/5.5	
NOM. BRIM VOL (L):	23	
NECK FINISH (mm):	83B	
THREAD (T.P.I.):	2	
NOM. WEIGHT W/ CLOSURE(gns):	870	
	INCHES	MM
A (NECK I.D.):	2.53 ±.10	64.3 ±2.5
B (HT. W/ CLOSURE):	19.75 ±.20	501.7 ±5.0
C (HT. W/O CLOSURE):	19.5 ±.20	495.3 ±5.0
D (DIA):	11.19 ±.12	284.2 ±3.0
W.T.(NOM WALL THK):	0.16	4.1



SPECS ON BACK

NOT TO SCALE

NOTES:

1. ALL DIMENSIONS ARE NOMINAL AND IN INCHES AND MILLIMETERS UNLESS OTHERWISE NOTED.
2. THIS IS NOT A PRODUCTION DRAWING, BUT IS FOR INFORMATIONAL PURPOSES ONLY, AND IS SUBJECT TO CHANGE WITHOUT NOTICE.

CONFIDENTIAL

THIS PRODUCT SPECIFICATION SHEET CONTAINS CONFIDENTIAL AND/OR PROPRIETARY INFORMATION AND IS TO BE USED ONLY FOR THE EXPRESSED PURPOSES AGREED UPON BY AN AUTHORIZED OFFICER OF THERMO FISHER SCIENTIFIC.

ThermoFisher
SCIENTIFIC

Thermo Fisher Scientific
75 Panorama Creek Drive
Rochester, NY 14625-2385, USA

MADE	JGJ	APP	PVC	PSS 3X-2289-0050	REV.	1098
CK'D	PB		11/16/98			

DESCRIPTION:

SINGLE USE CARBOY