

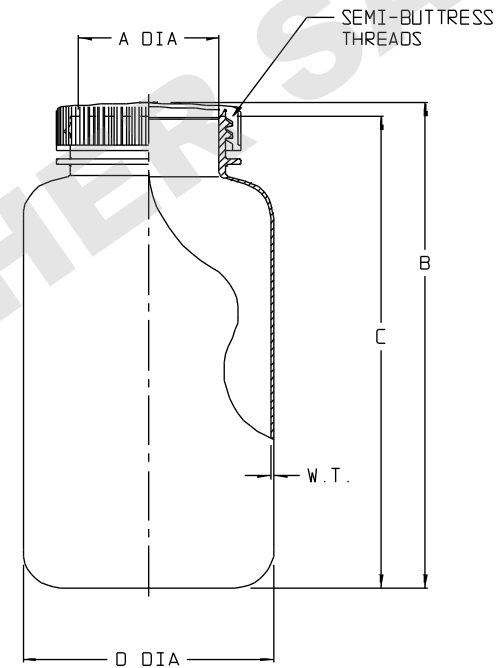
CATALOG NO.	NOMINAL CAPACITY, (oz)						MATERIALS	
							BOTTLE	CLOSURE
312187	1	2	4	8	16	32	PPCO	PP
312189	1	2	4	8	16	32	HDPE	PP

SIZE CODE.....	-0001	-0002			-0004		
SIZE (NOM VOL mL/oz)	30/ 1	60/ 2			125/ 4		
NOM. BRIM CAP. (mL)	38	70			150		
NECK FINISH (mm)...	28-415	28-415			38-415		
THREAD (T.P.I.).....	6	6			6		
NOM. WEIGHT W/CLOSURE (gms).....	11	15			20		
	INCH	MM	INCH	MM	INCH	MM	
A (NECK I.D.).....	0.83 ± 0.02	21.1 ± 0.5	0.83 ± 0.02	21.1 ± 0.5	1.110 ± 0.025	28.19 ± 0.64	
B (HT. W/CLOSURE)...	2.49 ± 0.07	63.2 ± 1.8	3.39 ± 0.08	86.1 ± 2.0	3.92 ± 0.08	99.6 ± 2.0	
C (HT. W/O CLOSURE):	2.35 ± 0.07	59.7 ± 1.8	3.26 ± 0.08	82.8 ± 2.0	3.78 ± 0.08	96.0 ± 2.0	
D (DIA).....	1.35 ± 0.05	34.3 ± 1.3	1.53 ± 0.06	38.9 ± 1.5	1.99 ± 0.06	50.5 ± 1.5	
W.T. (NOM WALL THK):	0.035	0.90	0.040	1.00	0.030	0.76	

SIZE CODE.....	-0008	-0016			-0032		
SIZE (NOM VOL mL/oz)	250/ 8	500/ 16			1000/ 32		
NOM. BRIM CAP. (mL)	300	575			1090		
NECK FINISH (mm)...	43-415	53-415			63-415		
THREAD (T.P.I.).....	6	6			6		
NOM. WEIGHT W/CLOSURE (gms).....	30	55			86		
	INCH	MM	INCH	MM	INCH	MM	
A (NECK I.D.).....	1.300 ± 0.025	33.02 ± 0.64	1.720 ± 0.025	43.69 ± 0.64	2.06 ± 0.03	52.3 ± 0.8	
B (HT. W/CLOSURE)...	5.16 ± 0.08	131.1 ± 2.0	6.62 ± 0.09	168.1 ± 2.3	7.84 ± 0.10	199.1 ± 2.5	
C (HT. W/O CLOSURE):	5.01 ± 0.08	127.3 ± 2.0	6.45 ± 0.09	163.8 ± 2.3	7.67 ± 0.10	194.8 ± 2.5	
D (DIA).....	2.40 ± 0.07	61.0 ± 1.8	2.87 ± 0.08	72.9 ± 2.0	3.60 ± 0.08	91.4 ± 2.0	
W.T. (NOM WALL THK):	0.030	0.76	0.035	0.90	0.035	0.90	

NOTES:

1. ALL DIMENSIONS ARE NOMINAL AND IN INCHES AND MILLIMETERS UNLESS OTHERWISE NOTED.
2. THIS IS NOT A PRODUCTION DRAWING, BUT IS FOR INFORMATIONAL PURPOSES ONLY, AND IS SUBJECT TO CHANGE WITHOUT NOTICE.



SPECS ON BACK

NOT TO SCALE

CONFIDENTIAL

THIS PRODUCT SPECIFICATION SHEET CONTAINS CONFIDENTIAL AND/OR PROPRIETARY INFORMATION AND IS TO BE USED ONLY FOR THE EXPRESSED PURPOSES AGREED UPON BY AN AUTHORIZED OFFICER OF THERMO FISHER SCIENTIFIC.

ThermoFisher
SCIENTIFIC

Thermo Fisher Scientific
75 Ponorona Creek Drive
Rochester, NY 14625-2385, USA

MADE	MG/JD	APP'D	BR		REV.
CK'D	JD		5/16/08	PSS 31-218X-XXXX-2	0508

DESCRIPTION:
WIDE MOUTH, ROUND
PACKAGING BOTTLES