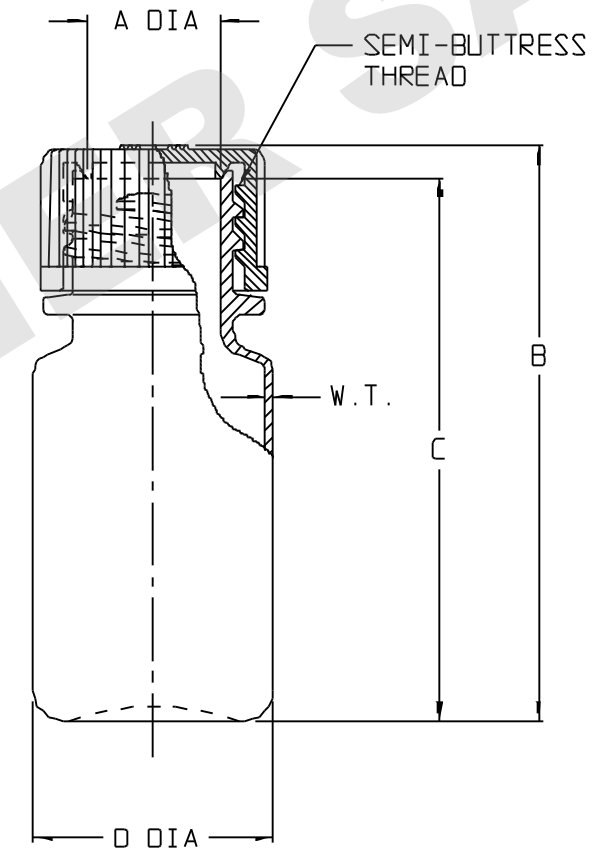


CATALOG NO.	NOMINAL CAPACITY, (oz)		MATERIALS	
			BOTTLE	CLOSURE
342002	1/4	1/2	HDPE	WHITE PP

SIZE CODE.....:	-9025		-9050	
SIZE (NOM VOL mL/oz):	8 / 1/4		15 / 1/2	
NOM. BRIM CAP. (mL):	12		17	
NECK FINISH (mm):	20-415		20-415	
THREAD (T.P.I.):	8		8	
NOM. WEIGHT W/CLOSURE (gms):	6		7	
	INCH	MM	INCH	MM
A (BTLE. NECK I.D.):	0.54±.02	13.7±0.5	0.54±.02	13.7±0.5
B (HT. W/CLOSURE):	1.74±.05	44.2±1.3	2.30±.06	58.4±1.5
C (HT. W/O CLOSURE):	1.66±.05	42.2±1.3	2.20±.06	55.9±1.5
D (DIA):	0.98±.04	24.9±1.0	0.98±.04	24.9±1.0
W.T.(NOM. WALL THK):	0.035	0.90	0.035	0.90

NOTES:

1. ALL DIMENSIONS ARE NOMINAL AND IN INCHES AND MILLIMETERS UNLESS OTHERWISE NOTED.
2. THIS IS NOT A PRODUCTION DRAWING, BUT IS FOR INFORMATIONAL PURPOSES ONLY, AND IS SUBJECT TO CHANGE WITHOUT NOTICE.



SPECS ON BACK

NOT TO SCALE

CONFIDENTIAL

THIS PRODUCT SPECIFICATION SHEET CONTAINS CONFIDENTIAL AND/OR PROPRIETARY INFORMATION AND IS TO BE USED ONLY FOR THE EXPRESSED PURPOSES AGREED UPON BY AN AUTHORIZED OFFICER OF THERMO FISHER SCIENTIFIC.

ThermoFisher
SCIENTIFIC

Thermo Fisher Scientific
75 Panorama Creek Drive
Rochester, NY 14625-2385, USA

MADE	MC	APP'D	PVC	PSS 34-2002-XXXX-1	REV.	0501
CHK'D	PVC		5/24/01			
DESCRIPTION:						
STERILE, SMALL/ DIAGNOSTIC (NARROW MOUTH), ROUND, BOTTLES						