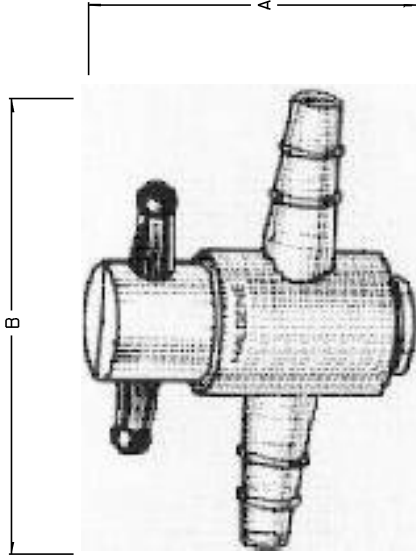


CATALOG NO.....:	6460-0002	6460-0004
	INCHES	MM
A (HEIGHT).....:	1.69	42.9
B (LENGTH).....:	2.55	64.8
BORE SIZE (mm).....:	2	4
NOM. WEIGHT(gms).....:	17	17

COMPONENT	MATERIAL
HANDLE	BLACK PP
O-RING	VITON
BODY	PP
PLUG	TFE

NOTES:

1. ALL DIMENSIONS ARE NOMINAL AND IN INCHES AND MILLIMETERS UNLESS OTHERWISE NOTED.
2. THIS IS NOT A PRODUCTION DRAWING, BUT IS FOR INFORMATIONAL PURPOSES ONLY, AND IS SUBJECT TO CHANGE WITHOUT NOTICE.



SPECS ON BACK

NOT TO SCALE

**ThermoFisher**  
**SCIENTIFIC**

Thermo Fisher Scientific  
75 Pancosmo Creek Drive  
Rochester, NY 14625-2385, USA

NAME	PB	REV	1200
DATE	PVC	PSS 00-6460-000X	
DESCRIPTION:	12/21/00		

TWO-WAY STOPCOCK

CONFIDENTIAL

THIS PRODUCT SPECIFICATION SHEET CONTAINS CONFIDENTIAL AND/OR PROPRIETARY INFORMATION AND IS TO BE USED ONLY FOR THE EXPRESSED PURPOSES AGREED UPON BY AN AUTHORIZED OFFICER OF THERMO FISHER SCIENTIFIC.