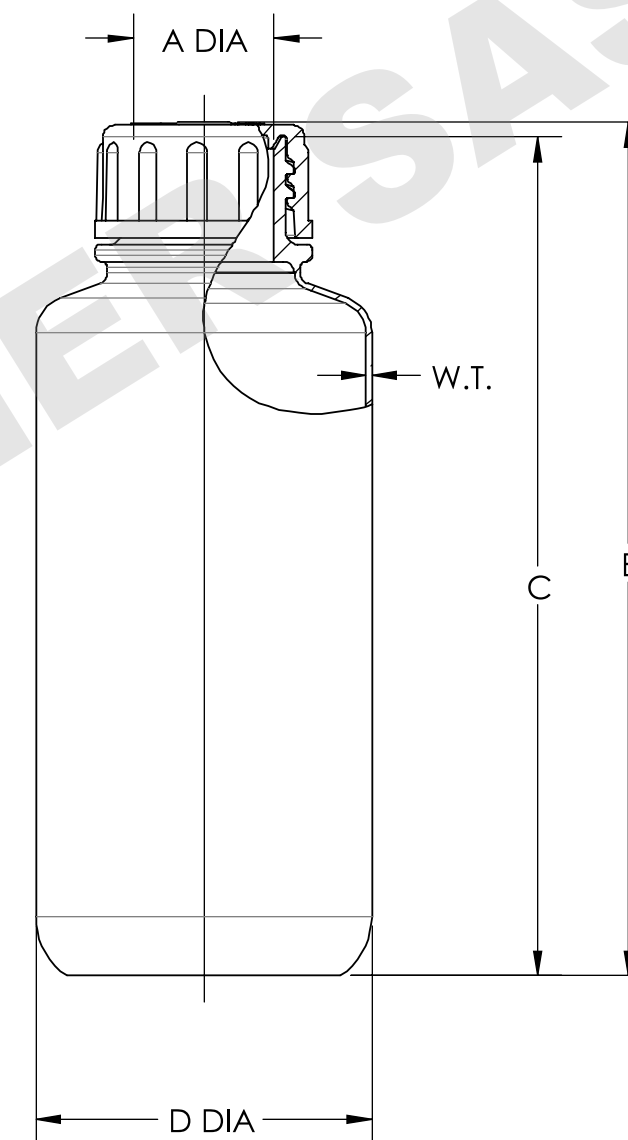


CATALOG NUMBER	NOMINAL CAPACITY (mL)	MATERIALS	
		BOTTLE	CLOSURE
381600-0004	125	FEP	ETFE
381600-0008	250	FEP	ETFE
381600-0016	500	FEP	ETFE
381600-0032	1000	FEP	ETFE

SIZE CODE.....:	-0004	-0008		
NOM. VOL. (mL / oz).....:	125 / 4	250 / 8		
NOM. BRIM CAP. (mL).....:	140	240		
NECK FINISH (mm).....:	24-415	24-415		
THREAD (T.P.I.).....:	8	8		
NOM. WEIGHT WITH CLOSURE (gms).....:	40	60		
	INCH	MM	INCH	MM
A (NECK I.D.).....:	0.68	17.3	0.68	17.3
B (HT. W/ CLOSURE).....:	4.52	114.8	5.28	134.1
C (HT. W/O CLOSURE).....:	4.40	111.8	5.16	131.1
D (DIA).....:	1.80	45.7	2.36	59.9
W.T. (NOM. WALL THK.).....:	0.040	1.02	0.030	0.76

SIZE CODE.....:	-0016	-0032		
NOM. VOL. (mL / oz).....:	500 / 16	1000 / 32		
NOM. BRIM CAP. (mL).....:	520	1050		
NECK FINISH (mm).....:	28-415	38-415		
THREAD (T.P.I.).....:	6	6		
NOM. WEIGHT WITH CLOSURE (gms).....:	100	160		
	INCH	MM	INCH	MM
A (NECK I.D.).....:	0.80	20.3	1.04	26.4
B (HT. W/ CLOSURE).....:	6.53	165.9	7.98	202.7
C (HT. W/O CLOSURE).....:	6.38	162.1	7.78	197.6
D (DIA).....:	2.86	72.6	3.55	90.2
W.T. (NOM. WALL THK.).....:	0.040	1.02	0.025	0.64

1. ALL DIMENSIONS ARE NOMINAL AND IN INCHES AND MILLIMETERS UNLESS OTHERWISE NOTED.
2. THIS IS NOT A PRODUCTION DRAWING, BUT IS FOR INFORMATIONAL PURPOSES ONLY, AND IS SUBJECT TO CHANGE WITHOUT NOTICE.



SPECS ON BACK

NOT TO SCALE

CONFIDENTIAL

THIS PRODUCT SPECIFICATION SHEET CONTAINS CONFIDENTIAL AND/OR PROPRIETARY INFORMATION AND IS TO BE USED ONLY FOR THE EXPRESSED PURPOSES AGREED UPON BY AN AUTHORIZED OFFICER OF THERMO FISHER SCIENTIFIC.

ThermoFisher
SCIENTIFIC

Thermo Fisher Scientific
75 Panorama Creek Drive
Rochester, NY 14625-2385, USA

MADE	TL	APP'D	GRP	PSS 381600-00XX	REV. 0311
CK'D	PB	3/7/11			
DESCRIPTION: LOW PARTICULATE / LOW METALS FEP BOTTLES					