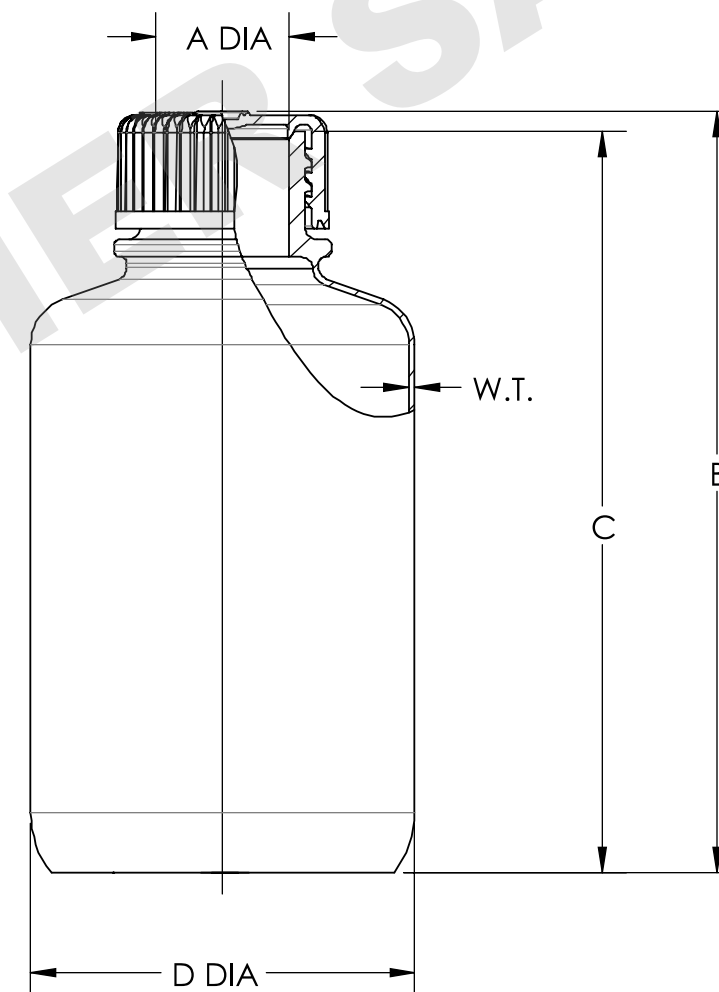


CATALOG NUMBER	NOMINAL CAPACITY (mL)	MATERIALS	
		BOTTLE	CLOSURE
382003-0004	125	LDPE	PP
382003-0008	250	LDPE	PP
382003-0016	500	LDPE	PP
382003-0032	1000	LDPE	PP

SIZE CODE.....:	-0004		-0008	
NOM. VOL. (mL / oz).....:	125 / 4		250 / 8	
NOM. BRIM CAP. (mL).....:	140		285	
NECK FINISH (mm).....:	24-415		24-415	
THREAD (T.P.I.).....:	8		8	
NOM. WEIGHT WITH CLOSURE (gms).....:	20		32	
	INCH	MM	INCH	MM
A (NECK I.D.).....:	0.69	17.5	0.69	17.5
B (HT. W/ CLOSURE).....:	3.97	100.8	5.22	132.6
C (HT. W/O CLOSURE).....:	3.88	98.6	5.13	130.3
D (DIA).....:	1.98	50.3	2.40	61.0
W.T. (NOM. WALL THK.).....:	0.040	1.02	0.050	1.27

SIZE CODE.....:	-0016		-0032	
NOM. VOL. (mL / oz).....:	500 / 16		1000 / 32	
NOM. BRIM CAP. (mL).....:	525		1060	
NECK FINISH (mm).....:	28-415		38-430	
THREAD (T.P.I.).....:	6		6	
NOM. WEIGHT WITH CLOSURE (gms).....:	58		100	
	INCH	MM	INCH	MM
A (NECK I.D.).....:	0.84	21.3	1.08	27.4
B (HT. W/ CLOSURE).....:	6.71	170.4	8.50	215.9
C (HT. W/O CLOSURE).....:	6.59	167.4	8.35	212.1
D (DIA).....:	2.86	72.6	3.60	91.4
W.T. (NOM. WALL THK.).....:	0.050	1.27	0.050	1.27

1. ALL DIMENSIONS ARE NOMINAL AND IN INCHES AND MILLIMETERS UNLESS OTHERWISE NOTED.
2. THIS IS NOT A PRODUCTION DRAWING, BUT IS FOR INFORMATIONAL PURPOSES ONLY, AND IS SUBJECT TO CHANGE WITHOUT NOTICE.



SPECS ON BACK

NOT TO SCALE

CONFIDENTIAL

THIS PRODUCT SPECIFICATION SHEET CONTAINS CONFIDENTIAL AND/OR PROPRIETARY INFORMATION AND IS TO BE USED ONLY FOR THE EXPRESSED PURPOSES AGREED UPON BY AN AUTHORIZED OFFICER OF THERMO FISHER SCIENTIFIC.

ThermoFisher
SCIENTIFIC

Thermo Fisher Scientific
75 Panorama Creek Drive
Rochester, NY 14625-2385, USA

MADE	TL	APP'D	GRP	PSS 382003-00XX	REV. 0311
CK'D	PB	3/7/11			
DESCRIPTION: LOW PARTICULATE / LOW METALS LDPE BOTTLES					