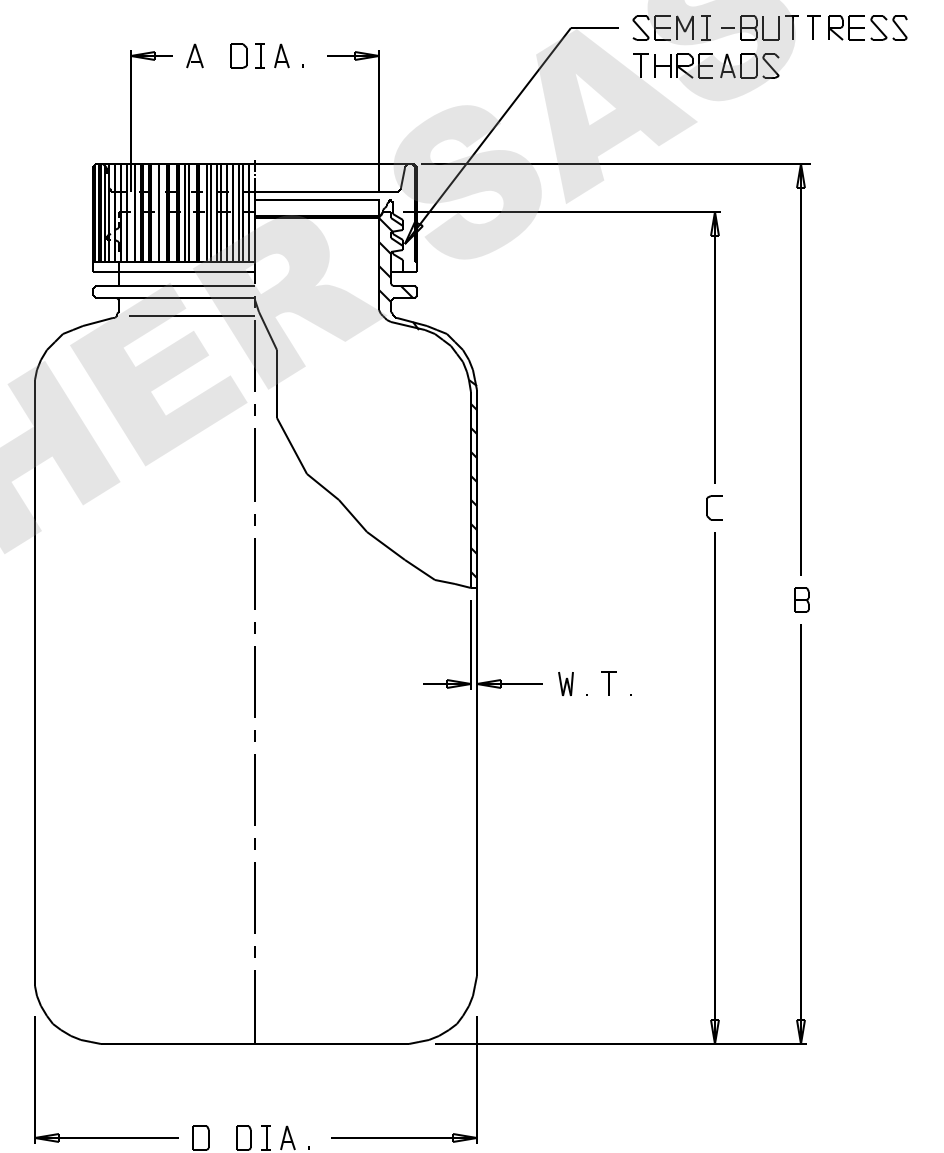


CATALOG NO.	NOMINAL CAPACITY (mL)				MATERIALS	
					BOTTLE	CLOSURE
002115	500	1000	2000	3000	PP	WHITE PP

SIZE CODE.....:	-500	-1000	-2000	-3000				
SIZE (NOM VOL mL/oz)	500/16	1,000/32	2,000/64	3,000/96				
NOM. BRIM CAP. (mL):	600	1120	2220	3450				
NECK FINISH (mm)....:	70	70	70	70				
THREAD (T.P.I.).....:	4	4	4	4				
NOM. WEIGHT W/CLOSURE (gms).....:	85	125	160	260				
	INCHES	MM	INCHES	MM	INCHES	MM	INCHES	MM
A (BTLE. NECK I.D.):	2.40 ±.05	61.0±1.3	2.40 ±.05	61.0±1.3	2.40 ±.05	61.0±1.3	2.40 ±.05	61.0±1.3
B (HT. W/CLOSURE)....:	6.92 ±.09	175.8±2.3	8.38 ±.10	212.9±2.5	9.62 ±.12	244.4±3.0	9.70 ±.12	246.4±3.0
C (HT. W/O CLOSURE):	6.50 ±.09	165.1±2.3	7.93 ±.10	201.4±2.5	9.18 ±.12	233.2±3.0	9.30 ±.12	236.2±3.0
D (DIA).....:	2.91 ±.08	73.9±2.0	3.65 ±.08	92.7±2.0	4.76 ±.09	120.9±2.3	6.13 ±.10	155.7±2.5
W.T.(NOM. WALL THK):	0.070	1.78	0.075	1.91	0.085	2.15	0.095	2.41

NOTES:

1. ALL DIMENSIONS ARE NOMINAL AND IN INCHES AND MILLIMETERS UNLESS OTHERWISE NOTED.
2. THIS IS NOT A PRODUCTION DRAWING, BUT IS FOR INFORMATIONAL PURPOSES ONLY, AND IS SUBJECT TO CHANGE WITHOUT NOTICE.



NOT TO SCALE

SPECS ON BACK

NOT TO SCALE

CONFIDENTIAL

THIS PRODUCT SPECIFICATION SHEET CONTAINS CONFIDENTIAL AND/OR PROPRIETARY INFORMATION AND IS TO BE USED ONLY FOR THE EXPRESSED PURPOSES AGREED UPON BY AN AUTHORIZED OFFICER OF THERMO FISHER SCIENTIFIC.

ThermoFisher
SCIENTIFIC

Thermo Fisher Scientific
75 Panorama Creek Drive
Rochester, NY 14625-2385, USA

MADE MCC APP'D PVC
CK'D PVC 11/21/91

PSS 00-2115-XXXX-1

REV. 1191

DESCRIPTION:

MASON JARS