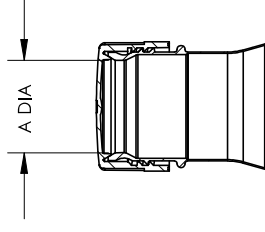


CATALOG NUMBER	NOMINAL CAPACITY (mL)						MATERIALS	
	125	250	500	1000	2000	2800	BOTTLE CLOSURE	LINER(70mm ONLY)
004113							PETG	LDPE/FOAM

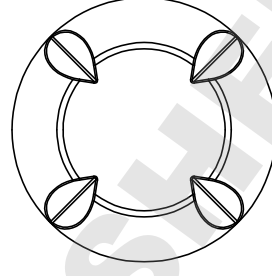
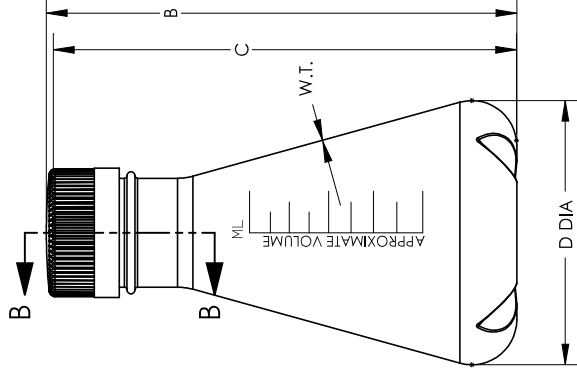
SIZE CODE.....:	-0125	-0250	-0500	
NOM. CAP.....:	125	250	500	
CLOSURE SIZE (mm).....:	38/430	38/430	45/430	
NOM. WEIGHT W/ CLOSURE (gms).....:	35	45	94	
	INCH	MM	INCH	MM
A (NECK ID.).....:	1.04	26.4	1.04	26.4
B (HT. W/ CLOSURE).....:	4.44	112.8	5.39	136.9
C (HT W/O CLOSURE).....:	4.34	110.2	5.24	133.1
D (DIA.).....:	2.61	66.3	3.25	82.6
W.T. (NOM. WALL THK.).....:	.03	0.7	.03	0.7

SIZE CODE.....:	-1000	-2000	-2800	
NOM. CAP.....:	1000	2000	2800	
CLOSURE SIZE (mm).....:	45/430	45/430	70	
NOM. WEIGHT W/ CLOSURE (gms).....:	100	150	300	
	INCH	MM	INCH	MM
A (NECK ID.).....:	1.40	35.6	1.40	35.6
B (HT. W/ CLOSURE).....:	8.80	223.5	10.79	274.1
C (HT W/O CLOSURE).....:	8.61	218.7	10.64	270.3
D (DIA.).....:	5.11	129.8	6.36	161.5
W.T. (NOM. WALL THK.).....:	.03	0.7	.03	0.7

1. ALL DIMENSIONS ARE NOMINAL AND IN INCHES AND MILLIMETERS UNLESS OTHERWISE NOTED.
2. THIS IS NOT A PRODUCTION DRAWING, BUT IS FOR INFORMATIONAL PURPOSES ONLY, AND IS SUBJECT TO CHANGE WITHOUT NOTICE.



SECTION B-B



BOTTOM VIEW

SPECS ON BACK

NOT TO SCALE

CONFIDENTIAL

THIS PRODUCT SPECIFICATION SHEET CONTAINS CONFIDENTIAL AND/OR PROPRIETARY INFORMATION AND IS TO BE USED ONLY FOR THE EXPRESSED PURPOSES AGREED UPON BY AN AUTHORIZED OFFICER OF THERMO FISHER SCIENTIFIC.

ThermoFisher
S C I E N T I F I C

Thermo Fisher Scientific
75 Panorama Creek Drive
Rochester, NY 14625-2385, USA

NAME	TL	GRP	PSS 00-4113-XXXX	REV.	0313
DATE	CHL	3/5/13			

BAFFLED STERILE DISPOSABLE FLASKS