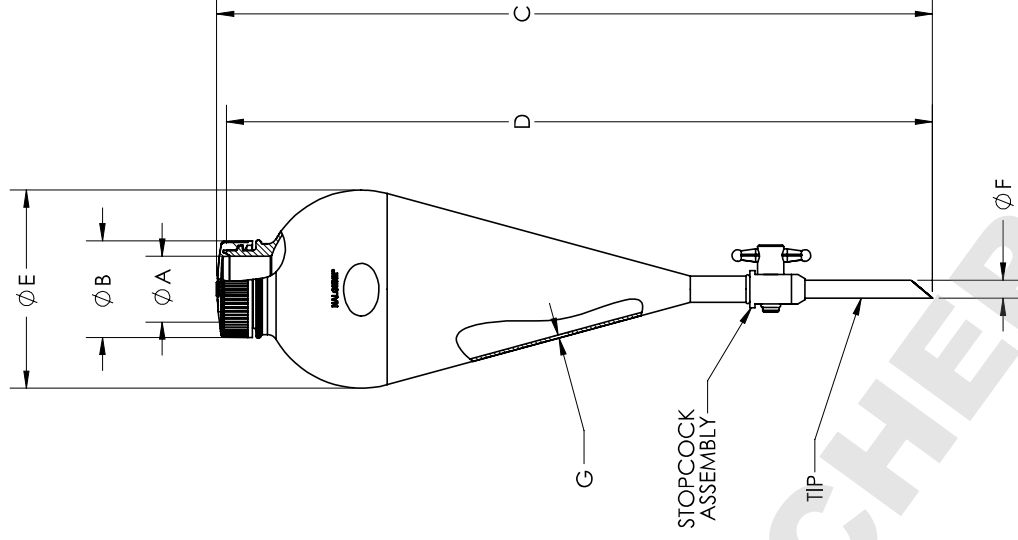


MATERIALS	
CLOSURE	ETFE
FUNNEL BODY	TEFLON FEP
STOPCOCK ASSY	TEFLON TFE
TIP	TEFLON FEP

CATALOG NUMBER	4301-0500
NOMINAL VOL. (mL)	500
NOM. BRIM CAPACITY (mL)	650
NOMINAL WEIGHT (g)	160
	INCH
A (NECK ID)	1.23
B (CLOSURE OD)	1.855
C (HEIGHT W/CLOSURE)	13.65
D (HEIGHT W/O CLOSURE)	13.45
E (OD AT BULB AREA)	3.76
F (TUBING OD)	.34
G (MIN WALL THICKNESS)	.02
	MM (REF)
	31.2
	47.1
	346.7
	341.6
	95.5
	8.6
	0.5

1. ALL DIMENSIONS ARE NOMINAL AND IN INCHES AND MILLIMETERS UNLESS OTHERWISE NOTED.
2. THIS IS NOT A PRODUCTION DRAWING, BUT IS FOR INFORMATIONAL PURPOSES ONLY, AND IS SUBJECT TO CHANGE WITHOUT NOTICE.



SPECS ON BACK

NOT TO SCALE

**ThermoFisher**  
S C I E N T I F I C

Thermo Fisher Scientific  
75 Panorama Creek Drive  
Rochester, NY 14625-2385, USA

DATE: PELYCHATY 1/13/17  
C'D: JC PWC  
DESCRIPTION:

PSS 4301-0500

REV: 0117

SEPARATORY FUNNEL

**CONFIDENTIAL**

THIS PRODUCT SPECIFICATION SHEET CONTAINS CONFIDENTIAL AND/OR PROPRIETARY INFORMATION AND IS TO BE USED ONLY FOR THE EXPRESSED PURPOSES AGREED UPON BY AN AUTHORIZED OFFICER OF THERMO FISHER SCIENTIFIC.