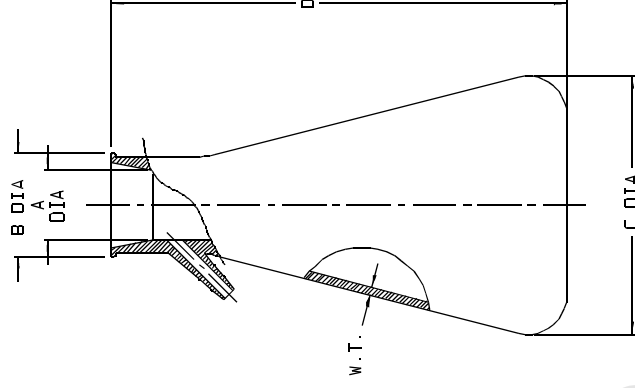


CATALOG NO.	DS4101-0500	DS4101-1000
MATERIAL	PP	PP
SIZE (NOM VOL nL)	500	1000
NOM. WEIGHT (gms)	135	270
	INCH	MM
A (NECK I.D.)	1.11 ±.03	28.2 ±0.8
B (LIP O.D. AT TOP)	1.66 ±.03	42.2 ±0.8
C (BODY O.D.)	4.20 ±.05	106.7 ±1.3
D (HEIGHT)	7.31 ±.07	185.7 ±1.8
W.T. (NOM. WALL THK.)	0.16	4.1
FITS STOPPER NO. (NOT INCL.)	7	8

CATALOG NO.	DS4101-2000
MATERIAL	PP
SIZE (NOM VOL nL)	1700
NOM. WEIGHT (gms)	420
	INCH
A (NECK I.D.)	1.65 ±.10
B (LIP O.D. AT TOP)	2.32 ±.04
C (BODY O.D.)	6.3 ±.1
D (HEIGHT)	10.6 ±.1
W.T. (NOM. WALL THK.)	0.2
FITS STOPPER NO. (NOT INCL.)	10

NOTES:
1. BARBED TUBING ADAPTER ACCEPTS 1/4" AND 3/8" I.D. TUBING.

- NOTES:
1. ALL DIMENSIONS ARE NOMINAL AND IN INCHES AND MILLIMETERS UNLESS OTHERWISE NOTED.
 2. THIS IS NOT A PRODUCTION DRAWING, BUT IS FOR INFORMATIONAL PURPOSES ONLY, AND IS SUBJECT TO CHANGE WITHOUT NOTICE.



SPECS ON BACK

NOT TO SCALE

ThermoFisher
SCIENTIFIC

Thermo Fisher Scientific
75 Porcino Creek Drive
Rochester, NY 14625-2385, USA

DATE	REV
12/0	0802
HC ²	RAL
J00	8/6/02
APP'D	
PSS DS4101-XXXX-1	

FILTERING FLASK