

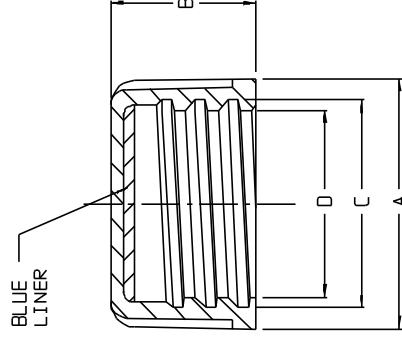
CATALOG NO.	MATERIALS	
	CLOSURE	LINER*
342158-0021	WHITE HDPE	BLUE HDPE/LDPE
342158-0022	BLACK HDPE	BLUE HDPE/LDPE
342158-0023	YELLOW HDPE	BLUE HDPE/LDPE
342158-0024	GREEN HDPE	BLUE HDPE/LDPE
342158-0025	RED HDPE	BLUE HDPE/LDPE
342158-0026	BLUE HDPE	BLUE HDPE/LDPE

NOMINAL WEIGHT (gms).....:	1.5	
	INCH	MM
A < CLOSURE O.D. >.....:	0.870 ± .010	22.10 ± .25
B < CLOSURE HEIGHT >.....:	0.560 ± .010	14.20 ± .25
C < MAJOR THREAD DIA. (T) >:	0.792 ± .004	20.10 ± .10
D < MINOR THREAD DIA. (E) >:	0.711 ± .004	18.05 ± .10

* BLUE LINER IS THREE-PLY COEXTRUDED MATERIAL CONSISTING OF FOAMED LDPE CORE BETWEEN 2 SOLID LAYERS OF HDPE.

NOTES:

1. ALL DIMENSIONS ARE NOMINAL AND IN INCHES AND MILLIMETERS UNLESS OTHERWISE NOTED.
2. THIS IS NOT A PRODUCTION DRAWING, BUT IS FOR INFORMATIONAL PURPOSES ONLY, AND IS SUBJECT TO CHANGE WITHOUT NOTICE.



SPECS ON BACK

NOT TO SCALE

ThermoFisher
SCIENTIFIC

Thermo Fisher Scientific
75 Pancromo Creek Drive
Rochester, NY 14625-2385, USA

NAME: MC2
DATE: 11/16/03

APP'D: PVC
REV: 1103

PSS 34-2158-002X

20mm LINED CLOSURES
STERILE BULK PACK