

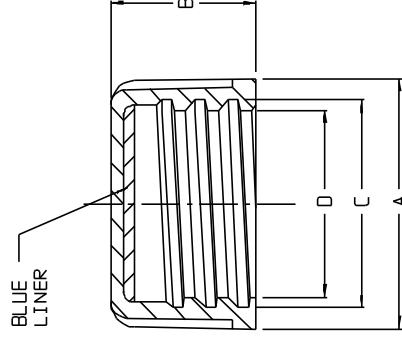
CATALOG NO.	MATERIALS	
	CLOSURE	LINER*
342158-0021	WHITE HDPE	BLUE HDPE/LDPE
342158-0022	BLACK HDPE	BLUE HDPE/LDPE
342158-0023	YELLOW HDPE	BLUE HDPE/LDPE
342158-0024	GREEN HDPE	BLUE HDPE/LDPE
342158-0025	RED HDPE	BLUE HDPE/LDPE
342158-0026	BLUE HDPE	BLUE HDPE/LDPE

NOMINAL WEIGHT (gms).....:	1.5	
	INCH	MM
A (CLOSURE O.D.).....:	0.870 ±.010	22.10 ±.25
B (CLOSURE HEIGHT).....:	0.560 ±.010	14.20 ±.25
C (MAJOR THREAD DIA. (T)):	0.792 ±.004	20.10 ±.10
D (MINOR THREAD DIA. (E)):	0.711 ±.004	18.05 ±.10

\* BLUE LINER IS THREE-PLY COEXTRUDED MATERIAL CONSISTING OF FOAMED LOPE CORE BETWEEN 2 SOLID LAYERS OF HDPE.

NOTES:

1. ALL DIMENSIONS ARE NOMINAL AND IN INCHES AND MILLIMETERS UNLESS OTHERWISE NOTED.
2. THIS IS NOT A PRODUCTION DRAWING, BUT IS FOR INFORMATIONAL PURPOSES ONLY, AND IS SUBJECT TO CHANGE WITHOUT NOTICE.



SPECS ON BACK

NOT TO SCALE

**ThermoFisher**  
**SCIENTIFIC**

Thermo Fisher Scientific  
75 Pancromo Creek Drive  
Rochester, NY 14625-2385, USA

NAME	MC <sup>2</sup>	APP'D PVC	PSS 34-2158-002X	REV.	1103
DATE	PVC	11/16/03			

20mm LINED CLOSURES  
STERILE BULK PACK

CONFIDENTIAL

THIS PRODUCT SPECIFICATION SHEET CONTAINS CONFIDENTIAL AND/OR PROPRIETARY INFORMATION AND IS TO BE USED ONLY FOR THE EXPRESSED PURPOSES AGREED UPON BY AN AUTHORIZED OFFICER OF THERMO FISHER SCIENTIFIC.