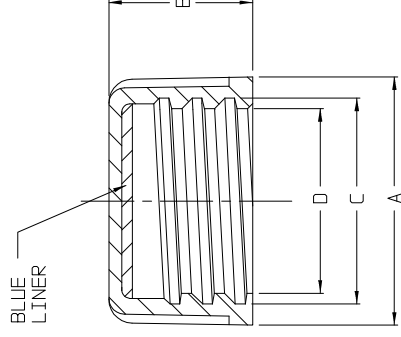


CATALOG NO.	MATERIALS	
	CLOSURE	LINER*
312158-0021	WHITE HDPE	BLUE HDPE/LDPE
312158-0022	BLACK HDPE	BLUE HDPE/LDPE

NOMINAL WEIGHT (gms).....:	1.5	
	INCH	MM
A (CLOSURE O.D.).....:	0.870 ± 0.010	22.10 ± .25
B (CLOSURE HEIGHT).....:	0.560 ± 0.010	14.20 ± .25
C (MAJOR THREAD DIA. (T)):	0.792 ± .004	20.10 ± .10
D (MINOR THREAD DIA. (F)):	0.711 ± .004	18.05 ± .10

\* BLUE LINER IS THREE-PLY COEXTRUDED MATERIAL CONSISTING OF FOAMED LOPE CORE BETWEEN 2 SOLID LAYERS OF HDPE.

- NOTES:
1. ALL DIMENSIONS ARE NOMINAL AND IN INCHES AND MILLIMETERS UNLESS OTHERWISE NOTED.
  2. THIS IS NOT A PRODUCTION DRAWING, BUT IS FOR INFORMATIONAL PURPOSES ONLY, AND IS SUBJECT TO CHANGE WITHOUT NOTICE.



SPECS ON BACK

NOT TO SCALE

**ThermoFisher**  
**SCIENTIFIC**

Thermo Fisher Scientific  
75 Panoram Creek Drive  
Rochester, NY 14625-2385, USA

MADE IN CHINA	JQC	APP'D	PWC	REV.	0315
OK'D	KDW	3/13/15			

PSS 31-2158-002X

20mm LINED CLOSURES

CONFIDENTIAL

THIS PRODUCT SPECIFICATION SHEET CONTAINS CONFIDENTIAL AND/OR PROPRIETARY INFORMATION AND IS TO BE USED ONLY FOR THE EXPRESSED PURPOSES AGREED UPON BY AN AUTHORIZED OFFICER OF THERMO FISHER SCIENTIFIC.