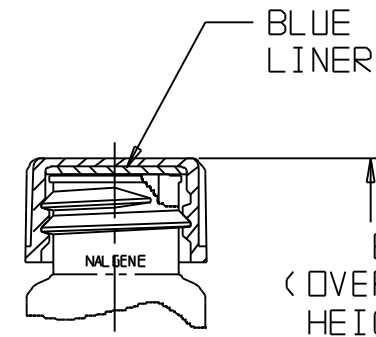


CATALOG NO.	NOMINAL CAPACITY (oz)			MATERIALS
	5	10	20	
002035	5	10	20	PETG
342032	5	10	20	PETG
342033	5	10	20	AMBER PETG
342035	5	10	20	PETG

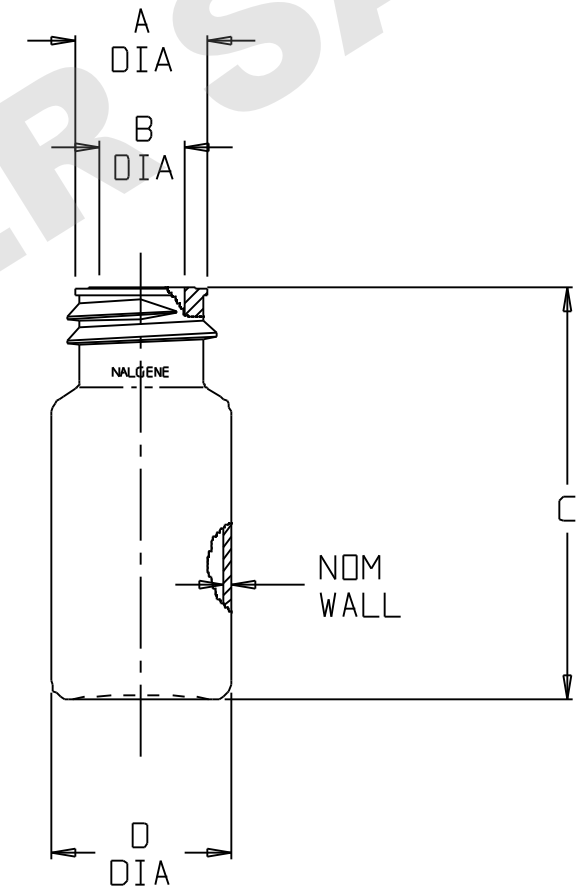
SIZE CODE.....	-0005		-0010		-0020	
SIZE (NOM VOL nL)...	5		10		20	
NOM. BRIM CAP. (nL):	10		15		27	
NECK FINISH (mm)....	20-415		20-415		20-415	
THREAD (T.P.I.)....	8		8		8	
NOM. WEIGHT W/O CLOSURE (gms)...	6		7		11	
	INCH	MM	INCH	MM	INCH	MM
A (CROWN O.D.).....	0.69 ±.01	17.5 ±0.3	0.69 ±.01	17.5 ±0.3	0.69 ±.01	17.5 ±0.3
B (NECK I.D.).....	.450 ±.008	11.43 ±.20	.450 ±.008	11.43 ±.20	.450 ±.008	11.43 ±.20
C (HT. W/O CLOSURE):	1.73 ±.02	43.9 ±.5	2.13 ±.02	54.1 ±.5	2.46 ±.02	62.5 ±.5
D (DIA).....	.876 ±.010	22.25 ±.25	.935 ±.010	23.75 ±.25	1.170 ±.010	29.72 ±.25
E (HT. W/ CLOSURE):	1.81 ±.02	45.9 ±.5	2.21 ±.02	56.1 ±.5	2.54 ±.02	64.5 ±.5
W.T. (NOM WALL THK):	0.047	1.20	0.047	1.20	0.047	1.20

NOTES:

1. ALL DIMENSIONS ARE NOMINAL AND IN INCHES AND MILLIMETERS UNLESS OTHERWISE NOTED.
2. THIS IS NOT A PRODUCTION DRAWING, BUT IS FOR INFORMATIONAL PURPOSES ONLY, AND IS SUBJECT TO CHANGE WITHOUT NOTICE.



SHOWN WITH  
20mm LINED CLOSURE  
(CAT. # 31-2158-0021/22)



SPECS ON BACK

NOT TO SCALE

CONFIDENTIAL

THIS PRODUCT SPECIFICATION SHEET CONTAINS CONFIDENTIAL AND/OR PROPRIETARY INFORMATION AND IS TO BE USED ONLY FOR THE EXPRESSED PURPOSES AGREED UPON BY AN AUTHORIZED OFFICER OF THERMO FISHER SCIENTIFIC.

**ThermoFisher**  
**SCIENTIFIC**

Thermo Fisher Scientific  
75 Panorama Creek Drive  
Rochester, NY 14625-2385, USA

MADE	JGJ	APP'D	PVC	PSS 34-203X-00XX	REV.	1000
CHK'D	PVC		5/16/02			

DESCRIPTION:

THREADED PETG VIALS, STERILE