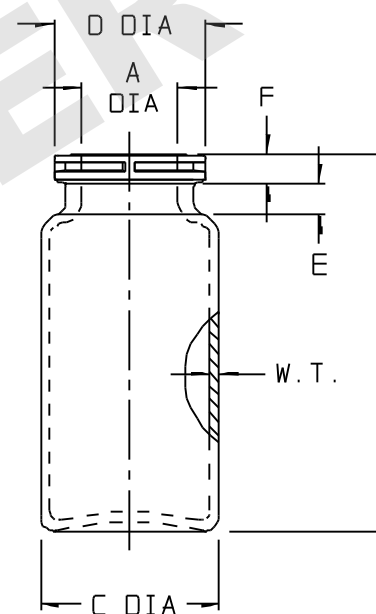


CATALOG NUMBER	NOMINAL CAPACITY, (mL)		MATERIAL
322030	5	10	PETG

SIZE CODE.....	-0005		-0010	
NOM. CAP. (mL).....	5		10	
NOM. WEIGHT (gms).....	4.9		6.2	
	INCH	MM	INCH	MM
A (NECK I.D.).....	0.500 ±.008	12.70 ±.20	0.500 ±.008	12.70 ±.20
B (OVERALL HEIGHT).....	1.555 ±.020	39.50 ±.50	1.969 ±.020	50.00 ±.50
C (BODY DIA).....	0.876 ±.010	22.25 ±.25	0.935 ±.010	23.75 ±.25
D (CROWN OD).....	0.785 ±.010	19.95 ±.25	0.785 ±.010	19.95 ±.25
E (MIN. NECK HEIGHT).....	0.142	3.60	0.164	4.15
F (CROWN HEIGHT).....	0.141 ±.008	3.60 ±.20	0.141 ±.008	3.60 ±.20
W.T. (NOM. WALL THKNSS) :	0.047	1.20	0.047	1.20
USE WITH STOPPER SIZE....	20mm		20mm	

NOTES:

1. ALL DIMENSIONS ARE NOMINAL AND IN INCHES AND MILLIMETERS UNLESS OTHERWISE NOTED.
2. THIS IS NOT A PRODUCTION DRAWING, BUT IS FOR INFORMATIONAL PURPOSES ONLY, AND IS SUBJECT TO CHANGE WITHOUT NOTICE.



SPECS ON BACK

NOT TO SCALE

CONFIDENTIAL

THIS PRODUCT SPECIFICATION SHEET CONTAINS CONFIDENTIAL AND/OR PROPRIETARY INFORMATION AND IS TO BE USED ONLY FOR THE EXPRESSED PURPOSES AGREED UPON BY AN AUTHORIZED OFFICER OF THERMO FISHER SCIENTIFIC.

ThermoFisher
SCIENTIFIC

Thermo Fisher Scientific
75 Panorama Creek Drive
Rochester, NY 14625-2385, USA

MADE	MC ²	APP'D	PVC	PSS 322030-00XX	REV.	0803
CHK'D	PVC		8/15/03			

DESCRIPTION:
SERUM VIALS, CRIMP FINISH