

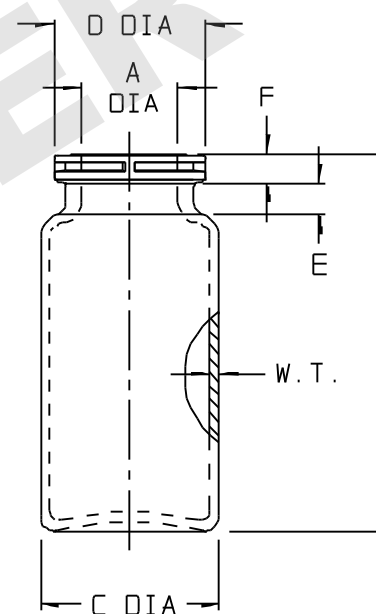
CATALOG NUMBER	NOMINAL CAPACITY, (mL)				MATERIAL
342030	3	5	10	20	PETG

SIZE CODE	-0003		-0005	
NOM. CAP. (mL)	3		5	
NOM. WEIGHT (gms)	2.7		4.9	
	INCH	MM	INCH	MM
A (NECK I.D.)	0.280 ±.007	7.10 ±.18	0.500 ±.008	12.70 ±.20
B (OVERALL HEIGHT)	1.465 ±.020	37.20 ±.50	1.555 ±.020	39.50 ±.50
C (BODY DIA)	0.655 ±.010	16.65 ±.25	0.876 ±.010	22.25 ±.25
D (CROWN OD)	0.518 ±.008	13.15 ±.20	0.785 ±.010	19.95 ±.25
E (MIN. NECK HEIGHT)	0.151	3.85	0.142	3.60
F (CROWN HEIGHT)	0.155 ±.008	3.95 ±.020	0.141 ±.008	3.60 ±.20
W.T. (NOM. WALL THKNESS)	0.040	1.00	0.047	1.20
USE WITH STOPPER SIZE	13mm		20mm	

SIZE CODE	-0010		-0020	
NOM. CAP. (mL)	10		20	
NOM. WEIGHT (gms)	6.2		10.1	
	INCH	MM	INCH	MM
A (NECK I.D.)	0.500 ±.008	12.70 ±.20	0.500 ±.008	12.70 ±.20
B (OVERALL HEIGHT)	1.969 ±.020	50.00 ±.50	2.284 ±.020	58.00 ±.50
C (BODY DIA)	0.935 ±.010	23.75 ±.25	1.170 ±.010	29.70 ±.25
D (CROWN OD)	0.785 ±.010	19.95 ±.25	0.785 ±.010	19.95 ±.25
E (MIN. NECK HEIGHT)	0.164	4.15	0.185	4.70
F (CROWN HEIGHT)	0.141 ±.008	3.60 ±.20	0.141 ±.008	3.60 ±.20
W.T. (NOM. WALL THKNESS)	0.047	1.20	0.047	1.20
USE WITH STOPPER SIZE	20mm		20mm	

NOTES:

1. ALL DIMENSIONS ARE NOMINAL AND IN INCHES AND MILLIMETERS UNLESS OTHERWISE NOTED.
2. THIS IS NOT A PRODUCTION DRAWING, BUT IS FOR INFORMATIONAL PURPOSES ONLY, AND IS SUBJECT TO CHANGE WITHOUT NOTICE.



SPECS ON BACK

NOT TO SCALE

CONFIDENTIAL

THIS PRODUCT SPECIFICATION SHEET CONTAINS CONFIDENTIAL AND/OR PROPRIETARY INFORMATION AND IS TO BE USED ONLY FOR THE EXPRESSED PURPOSES AGREED UPON BY AN AUTHORIZED OFFICER OF THERMO FISHER SCIENTIFIC.

ThermoFisher
SCIENTIFIC

Thermo Fisher Scientific
75 Panorama Creek Drive
Rochester, NY 14625-2385, USA

MADE	MC ²	APP'D	PVC	PSS 342030-00XX	REV.	0803
CHK'D	PVC		8/15/03			

DESCRIPTION:
SERUM VIALS, CRIMP FINISH