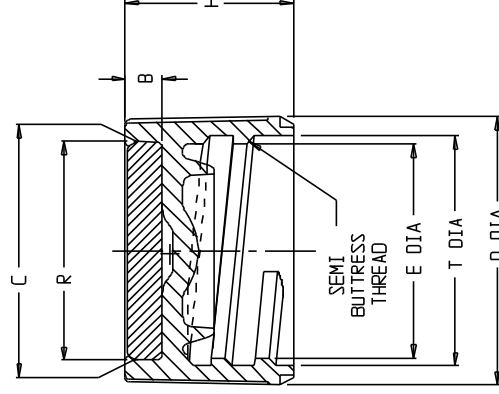


CATALOG NO. (STERILE)	CATALOG NO. (NON-STERILE)	CODER COLOR
342820-0111	362820-0111	WHITE
342820-0112	362820-0112	YELLOW
342820-0113	362820-0113	ORANGE
342820-0114	362820-0114	GREEN
342820-0115	362820-0115	RED
342820-0116	362820-0116	BLUE
342820-0117	362820-0117	GOLD
342820-0118	362820-0118	PURPLE
342820-0119	362820-0119	NATURAL
342820-1110	362820-1110	TEAL

CATALOG NO.	342820-0111 THRU -1110 (STERILE)
SIZE CODE	362820-0111 THRU -1110 (NON-STERILE)
THREAD FINISH (mm) ..	PPCO (CLOSURE)/HIPSC(CODER)
THREAD (T.P.I.)	11
NOM. WEIGHT (gms) ..	12
	0.5
	INCHES
	MM
D (DIA.)510 ±.005
H (HEIGHT)320 ±.005
E (MINOR THD. DIA.) ..	.408 ±.004
T (MAJOR THD. DIA.) ..	.440 ±.004
R (RECESS DIA.)406 ±.005
B (RECESS DEPTH)070 ±.005
C (CODER DIA.)415 ±.002



NOT TO SCALE

SPECS ON BACK

ThermoFisher
SCIENTIFIC

Thermo Fisher Scientific
75 Pancosmo Creek Drive
Rochester, NY 14625-2385, USA

NAME: JGJ
GRP: PVC
DATE: 1/15/98

REV: 0198

PSS 3X-2820-X11X
CLOSURE W/CODER
MICRO PACKAGING VIAL

CONFIDENTIAL

THIS PRODUCT SPECIFICATION SHEET CONTAINS CONFIDENTIAL AND/OR PROPRIETARY INFORMATION AND IS TO BE USED ONLY FOR THE EXPRESSED PURPOSES AGREED UPON BY AN AUTHORIZED OFFICER OF THERMO FISHER SCIENTIFIC.

2. This is not a production drawing, but is for informational purposes only, and is subject to change without notice.

1. All dimensions are nominal and in inches and millimeters unless otherwise noted.