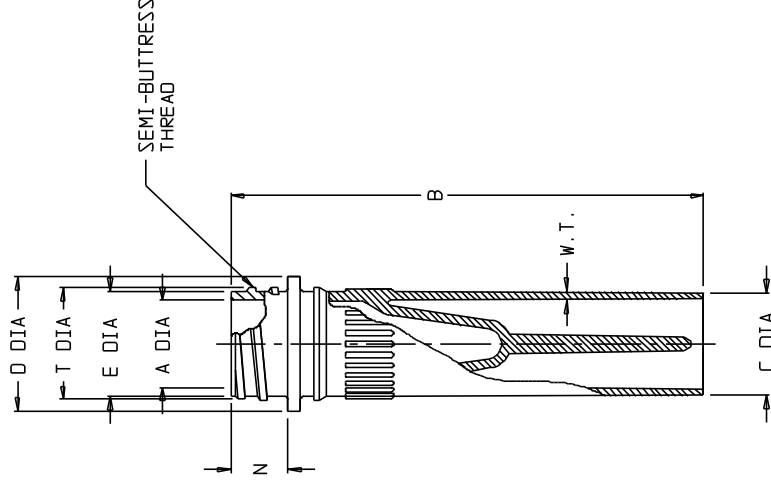


CATALOG NO. (STERILE)	CATALOG NO. (NON-STERILE)	NOMINAL CAPACITY, (nL)	MATERIAL	COLOR
342800-0005	362800-0005	0.5nL	PPCO	NATURAL
342805-0005	362805-0005	0.5nL	PPCO	AMBER

SIZE (NOM VOL nL)...	0.5
NOM. BRIM CAP. (nL):	0.9
NECK FINISH (mm):	11
THREAD (T.P.I.):	12
NOM. WEIGHT (gms):	1.2
DIM. FOR IN./CM:	INCH
A (NECK I.D.):	.330 ± .005
B (HT. W/O CLOSURE):	1.80 ± .01
C (DIA):	.390 ± .005
D (NECK DIA):	.510 ± .005
N (NECK HEIGHT):	.218 ± .005
T (MAJOR THD. DIA.):	.430 ± .004
E (MINOR THD. DIA.):	.400 ± .003
W.T. (NOM. WALL THK):	.035
	MM
A (NECK I.D.):	8.4 ± 0.1
B (HT. W/O CLOSURE):	45.7 ± 0.3
C (DIA):	9.9 ± 0.1
D (NECK DIA):	12.9 ± 0.1
N (NECK HEIGHT):	5.5 ± 0.1
T (MAJOR THD. DIA.):	10.9 ± 0.1
E (MINOR THD. DIA.):	10.2 ± 0.1
W.T. (NOM. WALL THK):	0.88



NOT TO SCALE

SPECS ON BACK

ThermoFisher
SCIENTIFIC

Thermo Fisher Scientific
75 Pancromo Creek Drive
Rochester, NY 14625-2385, USA

NAME	JGJ	APP'D	PVC	PSS	3X-280X-0005	REV	0198
CHK'D	GRP						
DESCRIPTION:							

MICRO PACKAGING VIAL, 0.5mL

CONFIDENTIAL

THIS PRODUCT SPECIFICATION SHEET CONTAINS CONFIDENTIAL AND/OR PROPRIETARY INFORMATION AND IS TO BE USED ONLY FOR THE EXPRESSED PURPOSES AGREED UPON BY AN AUTHORIZED OFFICER OF THERMO FISHER SCIENTIFIC.

2. This is not a production drawing, but is for informational purposes only, and is subject to change without notice.

1. All dimensions are nominal and in inches and millimeters unless otherwise noted.