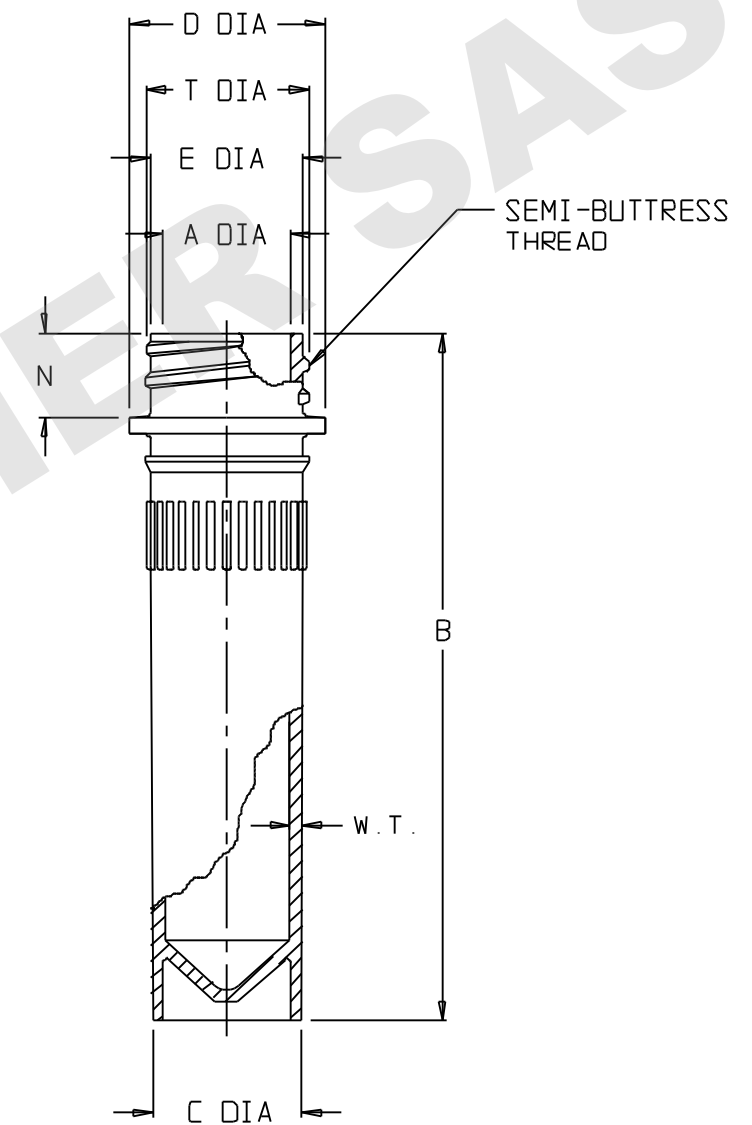


CATALOG NO. (NON-STERILE)	NOMINAL CAPACITY, (mL)	MATERIAL	COLOR
362800-0020	2.0mL	PPCO	NATURAL

SIZE (NOM VOL mL):	2.0	
NOM. BRIM CAP. (mL):	2.2	
NECK FINISH (mm):	11	
THREAD (T.P.I.):	12	
NOM. WEIGHT (gms):	1.1	
DIM. FOR IN./CM:	INCH	MM
A (NECK I.D.):	.330 ± .005	8.4 ± 0.1
B (HT. W/O CLOSURE):	1.80 ± .01	45.7 ± 0.3
C (DIA):	.390 ± .005	9.9 ± 0.1
D (NECK DIA):	.510 ± .005	12.9 ± 0.1
N (NECK HEIGHT):	.218 ± .005	5.5 ± 0.1
T (MAJOR THD. DIA):	.430 ± .004	10.9 ± 0.1
E (MINOR THD. DIA):	.400 ± .003	10.2 ± 0.1
W.T. (NOM. WALL THK):	.035	0.88

2. This is not a production drawing, but is for informational purposes only, and is subject to change without notice.

1. All dimensions are nominal and in inches and millimeters unless otherwise noted.



NOT TO SCALE

SPECS ON BACK

CONFIDENTIAL

THIS PRODUCT SPECIFICATION SHEET CONTAINS CONFIDENTIAL AND/OR PROPRIETARY INFORMATION AND IS TO BE USED ONLY FOR THE EXPRESSED PURPOSES AGREED UPON BY AN AUTHORIZED OFFICER OF THERMO FISHER SCIENTIFIC.

ThermoFisher
SCIENTIFIC

Thermo Fisher Scientific
75 Panorama Creek Drive
Rochester, NY 14625-2385, USA

MADE	JGJ	APP'D	PVC	PSS 3X-280X-0020	REV.	0198
CHK'D	GRP		1/15/98			

DESCRIPTION:

MICRO PACKAGING VIAL, 2mL