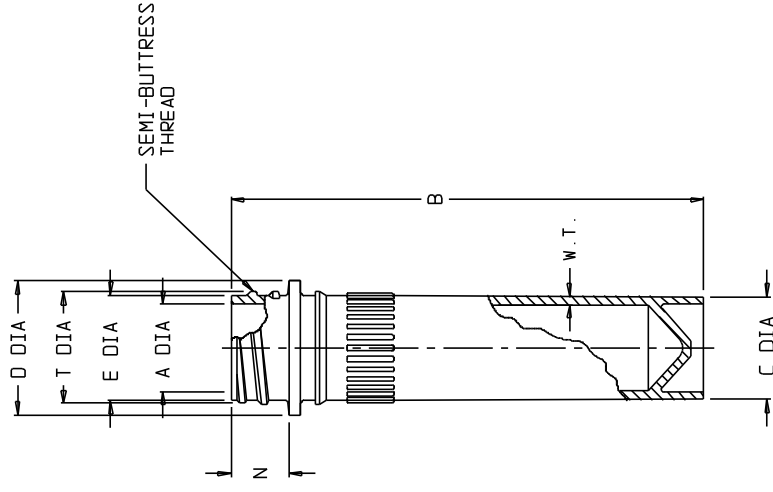


CATALOG NO. (NON-STERILE)	NOMINAL CAPACITY, (mL)	MATERIAL	COLOR
362800-0020	2.0mL	PPCO	NATURAL

SIZE (NOM VOL mL)...	2.0	
NOM. BRIM CAP. (mL):	2.2	
NECK FINISH (mm)...	11	
THREAD (T.P.I.)...	12	
NOM. WEIGHT (gms)...	1.1	
DIM. FOR IN./CM...	INCH	MM
A (NECK I.D.)...	.330 ± .005	8.4 ± 0.1
B (HT. W/O CLOSURE):	1.80 ± .01	45.7 ± 0.3
C (DIA).....	.390 ± .005	9.9 ± 0.1
D (NECK DIA).....	.510 ± .005	12.9 ± 0.1
N (NECK HEIGHT).....	.218 ± .005	5.5 ± 0.1
T (MAJOR THD. DIA):	.430 ± .004	10.9 ± 0.1
E (MINOR THD. DIA):	.400 ± .003	10.2 ± 0.1
W.T.(NOM. WALL THK):	.035	0.88



NOT TO SCALE

SPECS ON BACK

ThermoFisher
SCIENTIFIC

Thermo Fisher Scientific
75 Pancosmo Creek Drive
Rochester, NY 14625-2385, USA

NAME	JGJ	APP'D	PVC	PSS	3X-280X-0020	REV	0198
CHK'D	GRP		1/15/98				

MICRO PACKAGING VIAL, 2mL

CONFIDENTIAL

THIS PRODUCT SPECIFICATION SHEET CONTAINS CONFIDENTIAL AND/OR PROPRIETARY INFORMATION AND IS TO BE USED ONLY FOR THE EXPRESSED PURPOSES AGREED UPON BY AN AUTHORIZED OFFICER OF THERMO FISHER SCIENTIFIC.

2. This is not a production drawing, but is for informational purposes only, and is subject to change without notice.

1. All dimensions are nominal and in inches and millimeters unless otherwise noted.