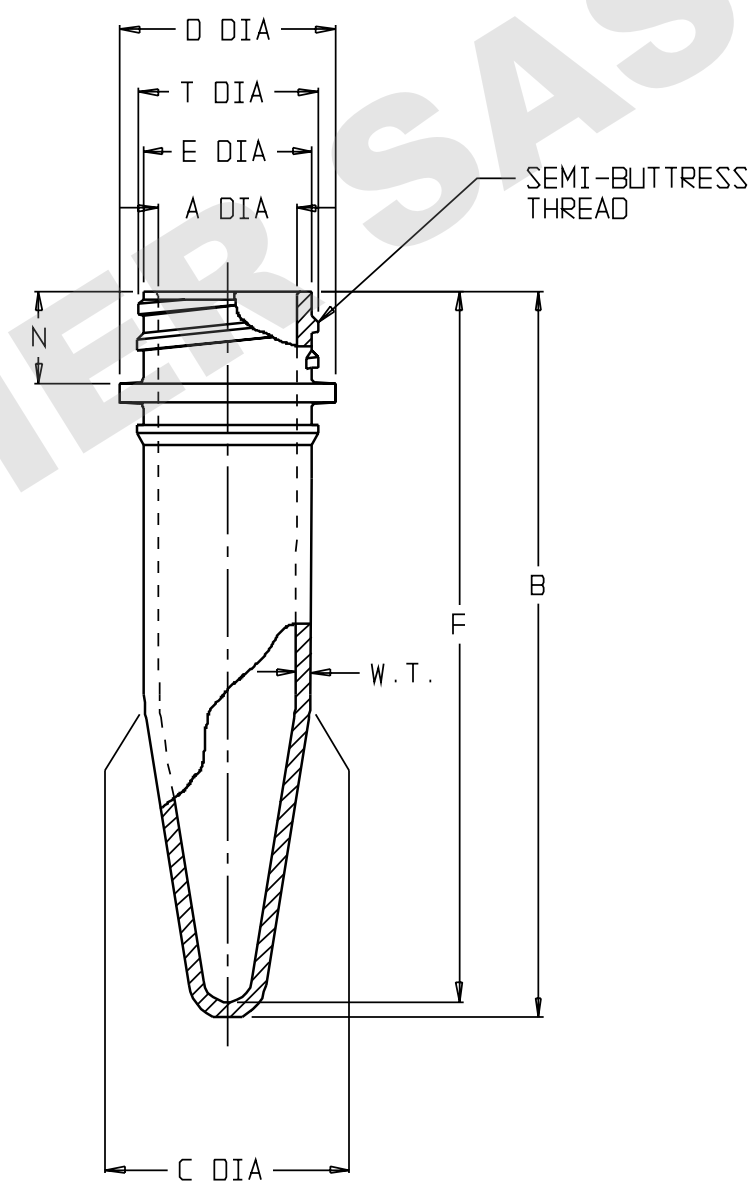


CATALOG NUMBERS.....:	342800-0015 (STERILE)	
	362800-0015 (NON-STERILE)	
SIZE (NOM VOL mL)...:	1.5	
NOM. BRIM CAP. (mL):	1.9	
NECK FINISH (mm)...:	11	
THREAD (T.P.I.).....:	12	
NOM. WEIGHT (gms)...:	1.0	
DIM. FOR IN./CM.....:	INCH	MM
A (NECK I.D.).....:	.330 ±.005	8.4 ± 0.1
B (HT. W/O CLOSURE):	1.716 ±.010	43.6± 0.3
C (DIA).....:	.395 ±.005	10.0 ± 0.1
D (NECK DIA).....:	.510 ±.005	12.9 ± 0.1
N (NECK HEIGHT)...:	.218 ±.005	5.5 ± 0.1
T (MAJOR THD. DIA)..:	.430 ±.005	10.9 ± 0.1
E (MINOR THD. DIA)..:	.400 ±.004	10.2 ± 0.1
F (WELL DEPTH).....:	1.680 ±.010	42.7 ± 0.3
W.T.(NOM. WALL THK):	.035	0.88



NOT TO SCALE

SPECS ON BACK

2. This is not a production drawing, but is for informational purposes only, and is subject to change without notice.
1. All dimensions are nominal and in inches and millimeters unless otherwise noted.

CONFIDENTIAL

THIS PRODUCT SPECIFICATION SHEET CONTAINS CONFIDENTIAL AND/OR PROPRIETARY INFORMATION AND IS TO BE USED ONLY FOR THE EXPRESSED PURPOSES AGREED UPON BY AN AUTHORIZED OFFICER OF THERMO FISHER SCIENTIFIC.

<b>ThermoFisher</b> SCIENTIFIC		Thermo Fisher Scientific 75 Panorama Creek Drive Rochester, NY 14625-2385, USA	
MADE PB	APP'D GRP	PSS 3X-2800-0015	REV. 0509
EX'D GRP	5/18/09	DESCRIPTION: MICRO PACKAGING VIAL, 1.5mL	