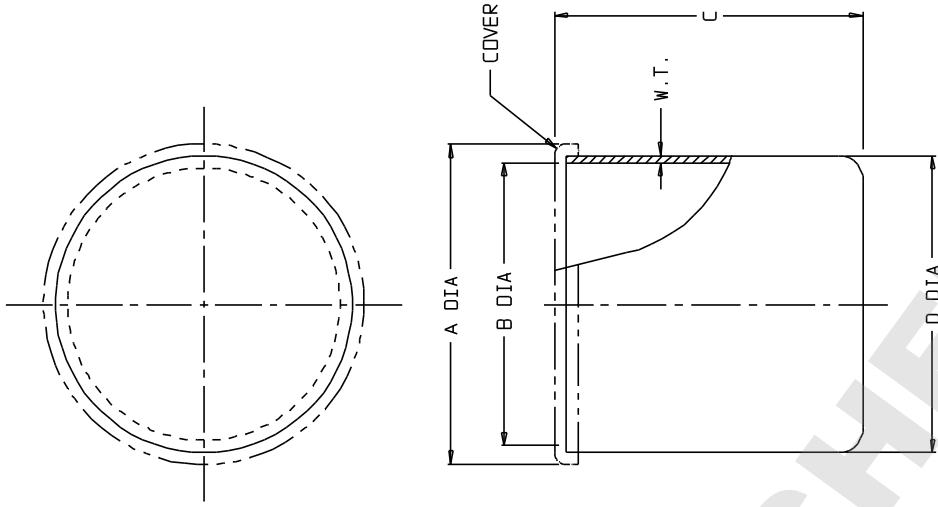


CATALOG NO.	NOMINAL CAPACITY, (mL)				MATERIAL
	1200	2200	4600	7900	
005352					PP

SIZE CODE	-0001		-0002		-0004	
NOM. BRIM CAP. (mL):	1200		2200		4600	
NOM. WEIGHT W/COVER (gms):	200		330		530	
	INCH	MM	INCH	MM	INCH	MM
A (COVER D.O.):	5.40 ±0.08	137.2 ±2.0	5.40 ±0.08	137.2 ±2.0	5.81 ±0.10	147.2 ±2.5
B (I.D. AT TOP):	4.95 ±0.08	125.7 ±2.0	4.95 ±0.08	125.7 ±2.0	5.40 ±0.10	136.6 ±2.5
C (HT. W/COVER):	4.13 ±0.08	104.9 ±2.0	7.57 ±0.10	192.3 ±2.5	9.4 ±0.1	239 ±3
D (O.D. AT BOTTOM):	5.18 ±0.08	131.6 ±2.0	5.17 ±0.08	131.3 ±2.0	6.61 ±0.10	167.9 ±2.5
W.T.(NOM WALL THK):	0.13	3.3	0.13	3.3	0.12	3.0

SIZE CODE	-0020		-0045	
NOM. BRIM CAP. (mL):	7900		18,300	
NOM. WEIGHT W/COVER (gms):	800		1650	
	INCH	MM	INCH	MM
A (COVER D.O.):	9.90 ±0.10	226.1 ±2.5	12.1 ±0.2	307 ±5
B (I.D. AT TOP):	8.43 ±0.10	214.1 ±2.5	11.6 ±0.1	295 ±3
C (HT. W/COVER):	10.0 ±0.1	254 ±3	12.1 ±0.2	307 ±5
D (O.D. AT BOTTOM):	8.16 ±0.10	207.3 ±2.5	11.3 ±0.1	287 ±3
W.T.(NOM WALL THK):	0.12	3.0	0.13	3.3

- NOTES:
1. ALL DIMENSIONS ARE NOMINAL AND IN INCHES AND MILLIMETERS UNLESS OTHERWISE NOTED.
 2. THIS IS NOT A PRODUCTION DRAWING, BUT IS FOR INFORMATIONAL PURPOSES ONLY, AND IS SUBJECT TO CHANGE WITHOUT NOTICE.



SPECS ON BACK

NOT TO SCALE

ThermoFisher
SCIENTIFIC

Thermo Fisher Scientific
75 Pancromo Creek Drive
Rochester, NY 14625-2385, USA

NAME: JGJ
CR: PVC
DATE: 4/24/95
DESCRIPTION:

PSS 00-5352-XXXX-1

REV: 0495

JARS WITH COVERS

CONFIDENTIAL
THIS PRODUCT SPECIFICATION SHEET CONTAINS CONFIDENTIAL AND/OR PROPRIETARY INFORMATION AND IS TO BE USED ONLY FOR THE EXPRESSED PURPOSES AGREED UPON BY AN AUTHORIZED OFFICER OF THERMO FISHER SCIENTIFIC.