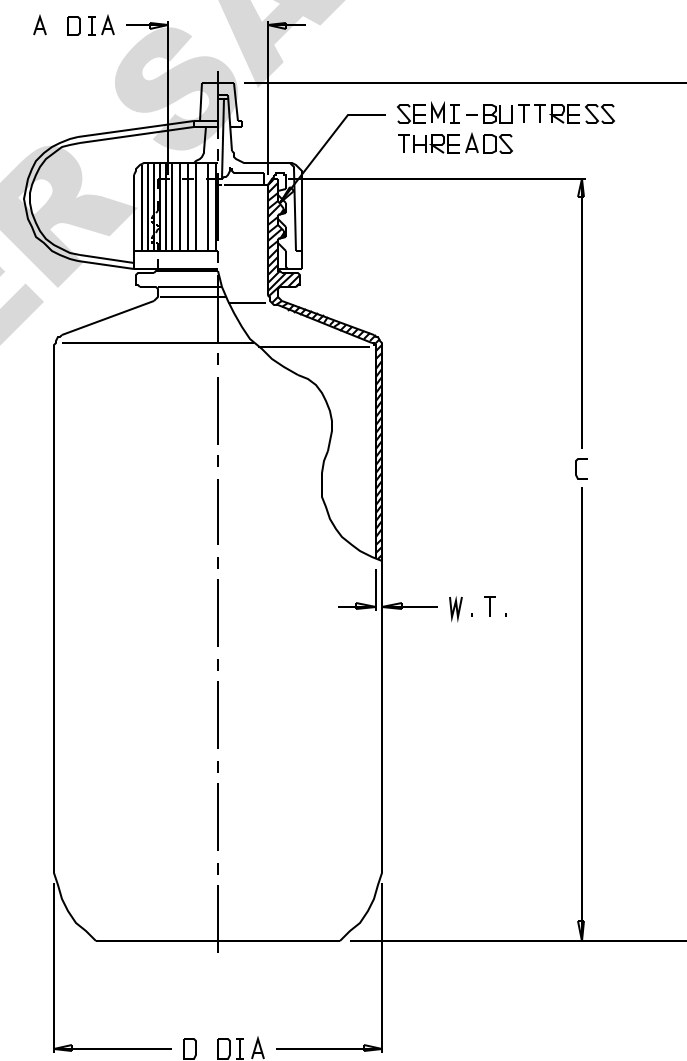


CATALOG NO.	NOMINAL CAPACITY (oz)					MATERIALS		
						BOTTLE	CLOSURE	CAP
002411	1/2	1	2	4	8	LDPE	PP	PP
002414	-	1	-	-	-	TEFLON FEP	TEFZEL ETFE	TEFZEL ETFE

SIZE CODE.....	-0015	-0030	-0060	-0125	-0250
SIZE (NOM VOL mL/oz)	15/0.5	30/1	60/2	125/4	250/8
NOM. BRIM CAP.(mL)..	18	35	64	140	285
NECK FINISH (mm)...	20-415	20-415	20-415	24-415	24-415
THREAD (T.P.I.).....	8	8	8	8	8
NOM. WEIGHT W/CLOSURE (gms).....	8	10	12	17	28
A (NECK I.D.).....	0.54 ±.02	0.54 ±.02	0.54 ±.02	0.69 ±.02	0.69 ±.02
C (HT. W/O CLOSURE):	2.20 ±.06	2.30 ±.07	3.25 ±.08	3.88 ±.08	5.14 ±.08
D (DIA).....	0.98 ±.04	1.35 ±.05	1.52 ±.06	1.98 ±.06	2.40 ±.07
H (NOM OVERALL HT):	3.8	3.9	3.9	4.5	4.8
W.T.(NOM. WALL THK):	0.040	0.040	.035	0.040	0.050

NOTES:

1. ALL DIMENSIONS ARE NOMINAL AND IN INCHES AND MILLIMETERS UNLESS OTHERWISE NOTED.
2. THIS IS NOT A PRODUCTION DRAWING, BUT IS FOR INFORMATIONAL PURPOSES ONLY, AND IS SUBJECT TO CHANGE WITHOUT NOTICE.



NOT TO SCALE

SPECS ON BACK

NOT TO SCALE

CONFIDENTIAL

THIS PRODUCT SPECIFICATION SHEET CONTAINS CONFIDENTIAL AND/OR PROPRIETARY INFORMATION AND IS TO BE USED ONLY FOR THE EXPRESSED PURPOSES AGREED UPON BY AN AUTHORIZED OFFICER OF THERMO FISHER SCIENTIFIC.

**ThermoFisher**  
**SCIENTIFIC**

Thermo Fisher Scientific  
75 Panorama Creek Drive  
Rochester, NY 14625-2385, USA

MADE	MCC	APP'D	GRP	PSS 00-241X-XXXX-1	REV.
CK'D	DM		6/5/06		0506

DESCRIPTION:

DROP-DISPENSER BOTTLES