

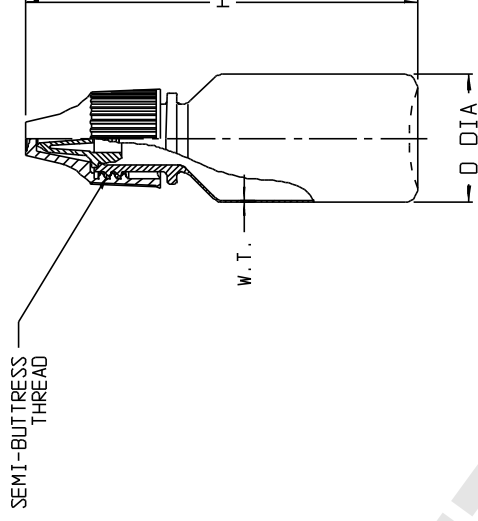
CATALOG NO.	NOMINAL CAPACITY, (oz/mL)				MATERIALS	
	BOTTLE	CLOSURE	BOTTLE	CLOSURE	BOTTLE	CLOSURE
002750	1/8 /4	1/4 /8	1/2 /15	LOPE (NATURAL)	PP (WHITE)	PP (WHITE)
002751	1/8 /4	1/4 /8	1/2 /15	LOPE (WHITE)	PP (WHITE)	PP (WHITE)
002752	1/8 /4	1/4 /8	1/2 /15	LOPE (NATURAL)	PP (ASSORTED*)	PP (ASSORTED*)
002753	1/8 /4	1/4 /8	1/2 /15	LOPE (WHITE)	PP (ASSORTED*)	PP (ASSORTED*)

* (5) EACH; WHITE, RED, GREEN, BLUE, YELLOW

SIZE CODE.....	-9125	-9025	-9050
SIZE (NOM VOL mL/oz)	4/ 1/8	8/ 1/4	15/ 1/2
NOM. BRIM CAP. (mL)	6.8	9.4	17.9
NECK FINISH (mm)	15	15	15
THREAD (T.P.I.)	12	12	12
NOM. WEIGHT (gms)	4.1	4.6	5.6
	IN.	mm	IN.
D (DIA)	0.78 ±.03	19.7 ±.8	0.78 ±.03
H (HT)	2.12 ±.04	53.8 ±1	2.54 ±.04
W.T. (MIN. WALL THK)	.008	0.20	.008
	mm	mm	mm
	0.78 ±.03	19.7 ±.8	0.96 ±.04
	2.12 ±.04	53.8 ±1	2.93 ±.04
	.008	0.20	.008
			0.20

NOTES:

1. ALL DIMENSIONS ARE NOMINAL AND IN INCHES AND MILLIMETERS UNLESS OTHERWISE NOTED.
2. THIS IS NOT A PRODUCTION DRAWING, BUT IS FOR INFORMATIONAL PURPOSES ONLY, AND IS SUBJECT TO CHANGE WITHOUT NOTICE.



SPECS ON BACK

NOT TO SCALE

ThermoFisher
SCIENTIFIC

Thermo Fisher Scientific
75 Pancromo Creek Drive
Rochester, NY 14625-2385, USA

MATERIAL	ISP	APP'D PVC	PSS 00-275X-9XXX	REV	0300
DATE	GRP	3/24/00			

DESCRIPTION:

DROPPER BOTTLES

CONFIDENTIAL

THIS PRODUCT SPECIFICATION SHEET CONTAINS CONFIDENTIAL AND/OR PROPRIETARY INFORMATION AND IS TO BE USED ONLY FOR THE EXPRESSED PURPOSES AGREED UPON BY AN AUTHORIZED OFFICER OF THERMO FISHER SCIENTIFIC.