

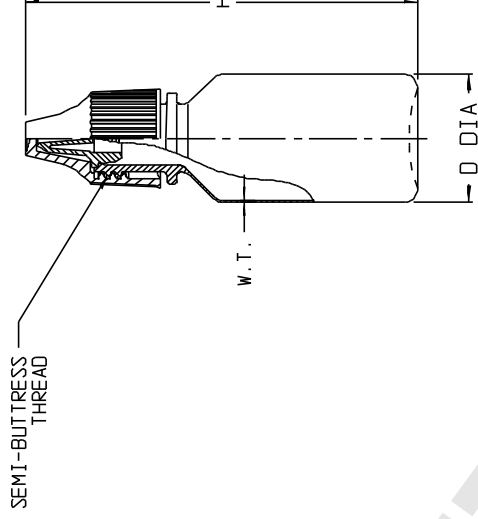
CATALOG NO.	NOMINAL CAPACITY, (oz/mL)				MATERIALS	
	BOTTLE	CLOSURE	BOTTLE	CLOSURE	BOTTLE	CLOSURE
002750	1/8 /4	1/4 /8	1/2 /15	LOPE (NATURAL)	PP (WHITE)	PP (WHITE)
002751	1/8 /4	1/4 /8	1/2 /15	LOPE (WHITE)	PP (WHITE)	PP (WHITE)
002752	1/8 /4	1/4 /8	1/2 /15	LOPE (NATURAL)	PP (ASSORTED*)	PP (ASSORTED*)
002753	1/8 /4	1/4 /8	1/2 /15	LOPE (WHITE)	PP (ASSORTED*)	PP (ASSORTED*)

\* (5) EACH; WHITE, RED, GREEN, BLUE, YELLOW

SIZE CODE	-9125		-9025		-9050	
	IN.	mm	IN.	mm	IN.	mm
SIZE (NOM VOL mL/oz)	4/ 1/8	6.8	8/ 1/4	9.4	15/ 1/2	17.9
NOM. BRIM CAP. (mL)	15	15	15	15	15	15
NECK FINISH (mm)	12	12	12	12	12	12
NOM. WEIGHT (gms)	4.1	4.1	4.6	4.6	5.6	5.6
D (DIA)	0.78 ±.03	19.7 ±.8	0.78 ±.03	19.7 ±.8	0.96 ±.04	24.5 ±1.0
H (HT.)	2.12 ±.04	53.8 ±1	2.54 ±.04	64.6 ±1	2.93 ±.04	74.5 ±1
W. T. (MIN. WALL THK)	.008	0.20	.008	0.20	.008	0.20

NOTES:

1. ALL DIMENSIONS ARE NOMINAL AND IN INCHES AND MILLIMETERS UNLESS OTHERWISE NOTED.
2. THIS IS NOT A PRODUCTION DRAWING, BUT IS FOR INFORMATIONAL PURPOSES ONLY, AND IS SUBJECT TO CHANGE WITHOUT NOTICE.



SPECS ON BACK

NOT TO SCALE

**ThermoFisher**  
**SCIENTIFIC**

Thermo Fisher Scientific  
75 Pancromo Creek Drive  
Rochester, NY 14625-2385, USA

MATERIAL	ISP	APP'D PVC	PSS 00-275X-9XXX	REV	0300
DATE	GRP	3/24/00			

DESCRIPTION:

DROPPER BOTTLES

CONFIDENTIAL

THIS PRODUCT SPECIFICATION SHEET CONTAINS CONFIDENTIAL AND/OR PROPRIETARY INFORMATION AND IS TO BE USED ONLY FOR THE EXPRESSED PURPOSES AGREED UPON BY AN AUTHORIZED OFFICER OF THERMO FISHER SCIENTIFIC.