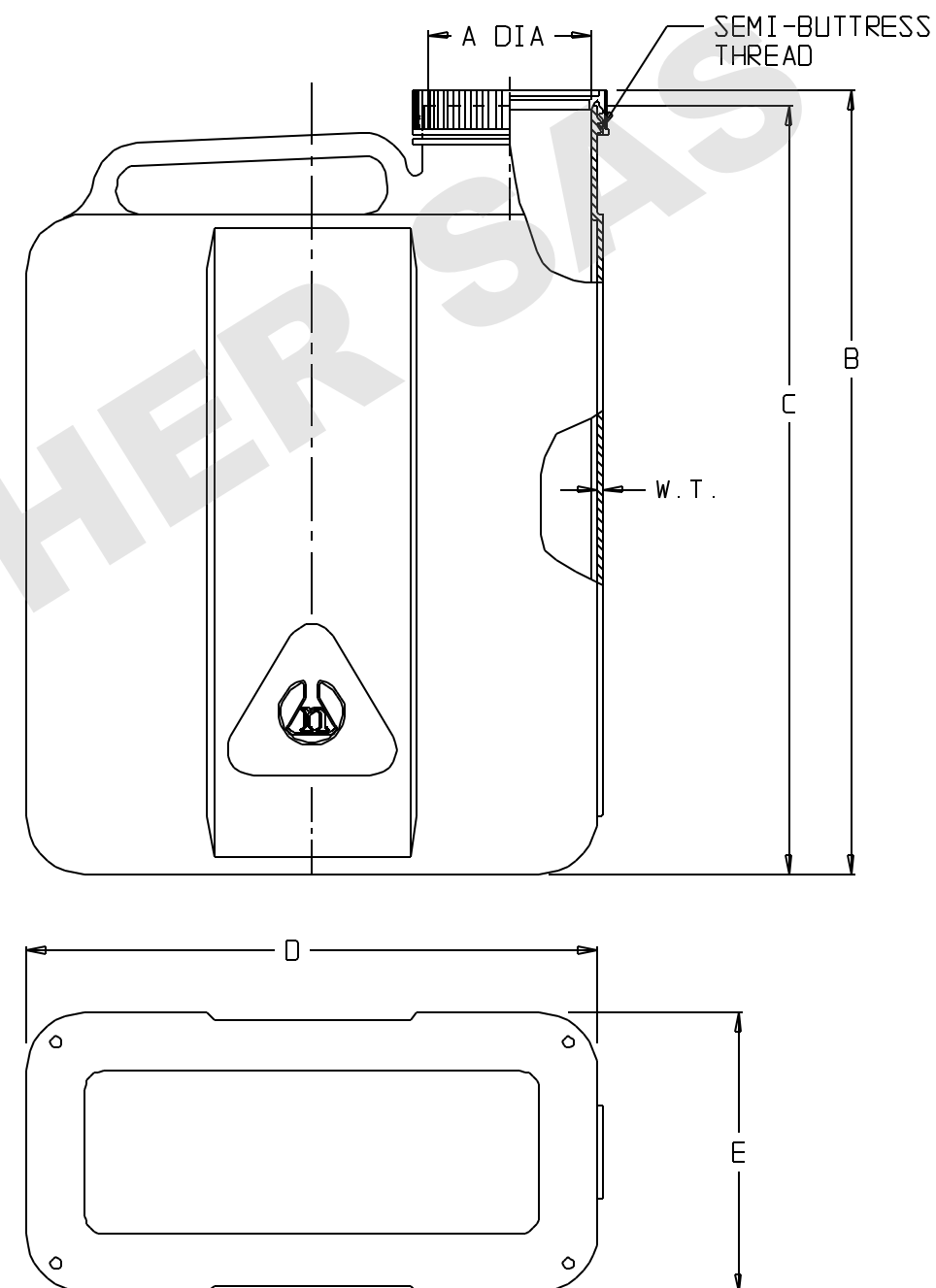


CATALOG NO.	NOMINAL CAPACITY (GAL)	MATERIALS	
		CARBODY	CLOSURE
002241	6.5	HDPE	WHITE PP

SIZE CODE.....	-0050
SIZE (NOM VOL L)....	25/6.5
NOM. BRIM CAP. (L)..	25
NECK FINISH (mm)....	120
THREAD (T.P.I.).....	5
NOM. WEIGHT W/CLOSURE (gms)....	1840
A (BTLE. NECK I.D.):	4.10 ±.12
B (HT. W/CLOSURE)...	17.9 ±.3
C (HT. W/O CLOSURE):	17.4 ±.3
D	12.4 ±.2
E.....	9.7 ±.2
W.T.(NOM. WALL THK):	0.25



SPECS ON BACK

NOT TO SCALE

NOTES:

1. ALL DIMENSIONS ARE NOMINAL AND IN INCHES AND MILLIMETERS UNLESS OTHERWISE NOTED.
2. THIS IS NOT A PRODUCTION DRAWING, BUT IS FOR INFORMATIONAL PURPOSES ONLY, AND IS SUBJECT TO CHANGE WITHOUT NOTICE.

CONFIDENTIAL

THIS PRODUCT SPECIFICATION SHEET CONTAINS CONFIDENTIAL AND/OR PROPRIETARY INFORMATION AND IS TO BE USED ONLY FOR THE EXPRESSED PURPOSES AGREED UPON BY AN AUTHORIZED OFFICER OF THERMO FISHER SCIENTIFIC.

ThermoFisher
SCIENTIFIC

Thermo Fisher Scientific
75 Panorama Creek Drive
Rochester, NY 14625-2385, USA

MADE	NS	APP'D	PVC	PSS 00-2241-0050	REV.	—
CK'D	PVC		2/15/91			

DESCRIPTION:

HEAVY-DUTY WIDE-MOUTH JUG