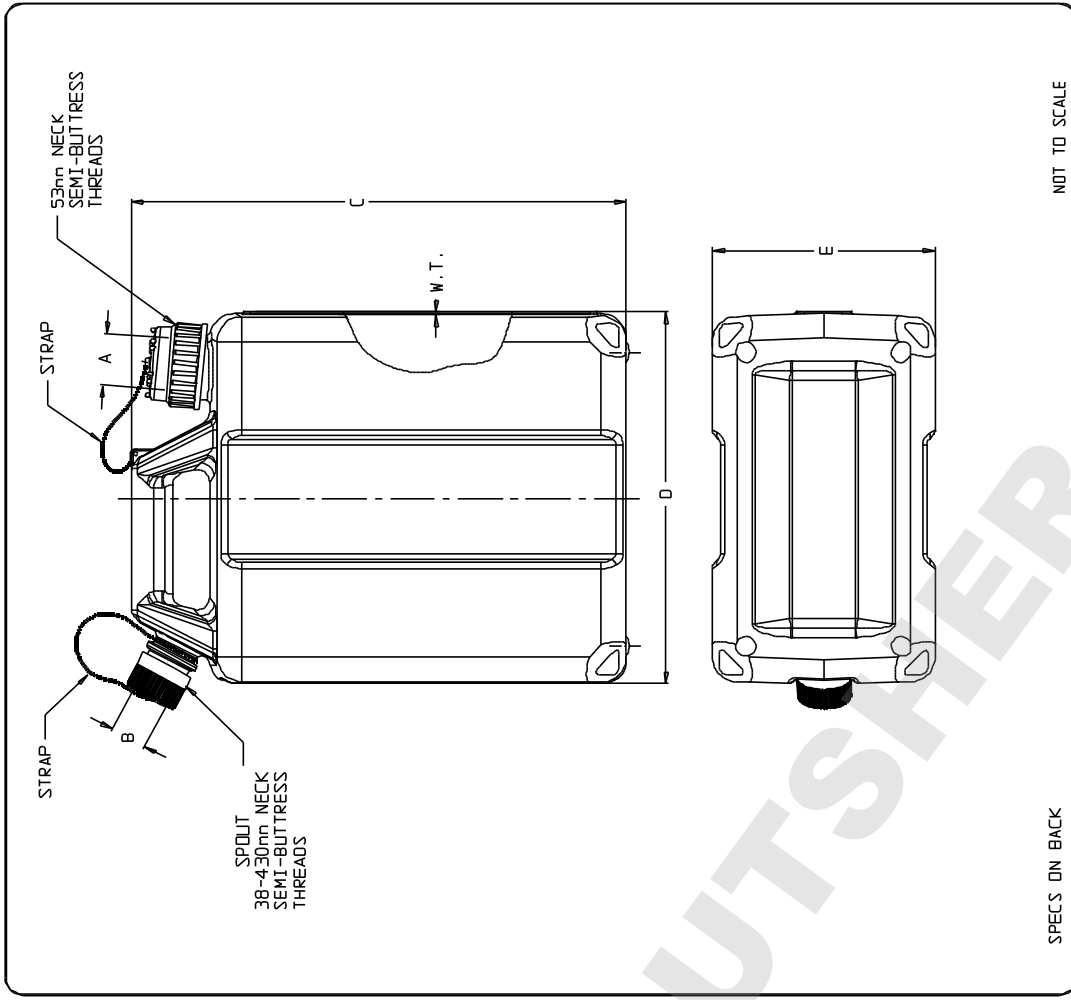


CATALOG NO.	NOMINAL CAPACITY (L)	MATERIALS			
		CARBODY	53mm CLOSURE	53mm CLOSURE STRAP	SPOUT 38-430 CLOSURE STRAP
002243-9013	13	HOPE	WHITE PP	NAT HOPE	BLUE PP

SIZE (NOM VOL L).....	13	
NOM BRIM CAP (L).....	15.2	
NECK FINISH (mm).....	53	
THREAD (T.P.I.).....	4	
SPOUT NECK FINISH (mm).....	38-430	
SPOUT THREAD (T.P.I.).....	6	
NOM. WEIGHT W/ CLOSURES(gms).....	1340	
	INCHES	MM
A (53mm NECK I.D.AT TOP).....	1.5	38
B (38-430 SPOUT NECK I.D.AT TOP).....	0.9	2.3
C (OVERALL HEIGHT).....	14.9	378
D (WIDTH).....	11.4	290
E (DEPTH).....	7.45	189
W.T.(NOM WALL THK).....	0.1	2.5



CONFIDENTIAL

THIS PRODUCT SPECIFICATION SHEET CONTAINS CONFIDENTIAL AND/OR PROPRIETARY INFORMATION AND IS TO BE USED ONLY FOR THE EXPRESSED PURPOSES AGREED UPON BY AN AUTHORIZED OFFICER OF THERMO FISHER SCIENTIFIC.

ThermoFisher
SCIENTIFIC

Thermo Fisher Scientific
75 Pancosmo Creek Drive
Rochester, NY 14625-2385, USA

DATE	REV
PB	1201
APP'D	
PVC	
12/4/01	
PSS 00-2243-9013	
DESCRIPTION:	
13-LITER JERRICAN WITH 38-430 SPOUT	

2. This is not a production drawing, but is for informational purposes only, and is subject to change without notice.

1. All dimensions are nominal and in inches and millimeters unless otherwise noted.