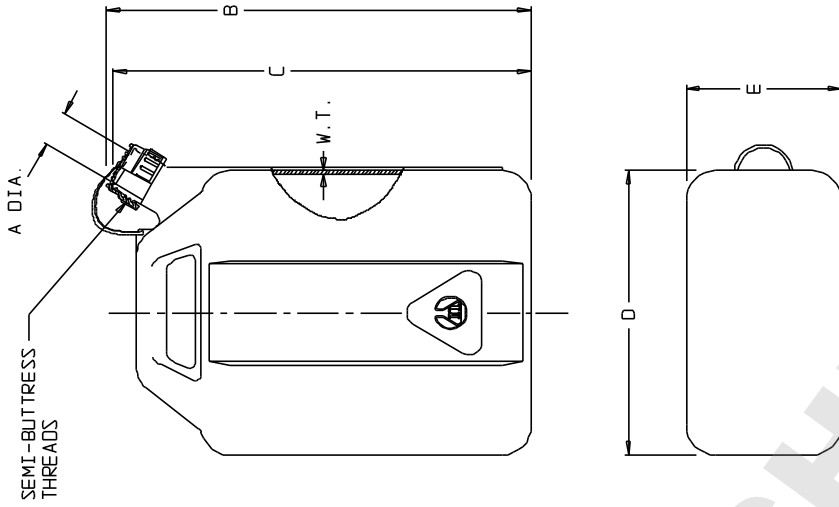


CATALOG NO.	NOMINAL CAPACITY (GAL)		MATERIALS	
	JERRICAN	CLOSURE	JERRICAN	CLOSURE
002242	1.5	2.5	5	5
			FLPE	WHITE PP

SIZE CODE	-0015		-0025		-0050	
	INCH	MM	INCH	MM	INCH	MM
SIZE (NOM VOL L/GAL)	6/1.5		10/2.5		20/5	
NOM. BRIM CAP. (L)	7.6		12		24	
NECK FINISH (mm)	538		538		538	
THREAD (T.P.I.)	4		4		4	
NOM. WEIGHT W/ CLOSURE (gms)	920		1120		1560	
A (NECK I.D.)	1.41 ±0.04	35.8 ±1.0	1.48 ±0.04	37.6 ±1.0	1.60 ±0.04	40.6 ±1.0
B (HT. W/ CLOSURE)	13.2 ±0.2	335.3 ±5.1	14.8 ±0.2	375.9 ±5.1	17.8 ±0.3	452.1 ±7.6
C (HT. W/O CLOSURE)	12.9 ±0.2	327.7 ±5.1	14.5 ±0.2	368.3 ±5.1	17.6 ±0.3	447.0 ±7.6
D (WIDTH)	8.38 ±0.14	212.9 ±3.6	9.70 ±0.15	246.4 ±3.8	12.6 ±0.2	320.0 ±5.1
E (DEPTH)	6.94 ±0.12	176.3 ±3.0	7.82 ±0.13	198.6 ±3.3	9.64 ±0.15	244.9 ±3.8
W.T. (NOM WALL THK)	0.18	4.6	0.20	5.1	0.22	5.6

NOTES:

1. ALL DIMENSIONS ARE NOMINAL AND IN INCHES AND MILLIMETERS UNLESS OTHERWISE NOTED.
2. THIS IS NOT A PRODUCTION DRAWING, BUT IS FOR INFORMATIONAL PURPOSES ONLY, AND IS SUBJECT TO CHANGE WITHOUT NOTICE.



SEMI-BUTTRESS
THREADS

SPECS ON BACK

NOT TO SCALE

ThermoFisher
SCIENTIFIC

Thermo Fisher Scientific
75 Pancromo Creek Drive
Rochester, NY 14625-2385, USA

NAME: MG
CR: B
DESCRIPTION:

PSS 00-2242-XXXX

REV: 0699

JERRICANS

CONFIDENTIAL

THIS PRODUCT SPECIFICATION SHEET CONTAINS CONFIDENTIAL AND/OR PROPRIETARY INFORMATION AND IS TO BE USED ONLY FOR THE EXPRESSED PURPOSES AGREED UPON BY AN AUTHORIZED OFFICER OF THERMO FISHER SCIENTIFIC.