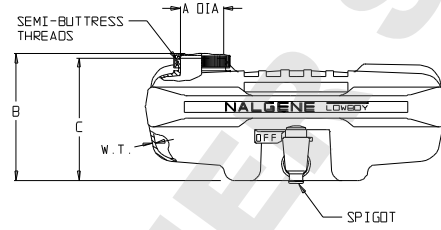
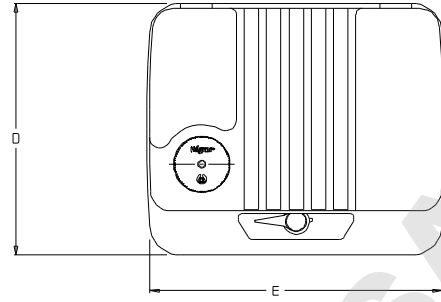


CATALOG NO.	NOMINAL CAPACITY (GAL.)		MATERIALS		
			CARBODY	CLOSURE	SPIGOT (WITH TEFLON O-RING)
002323	2	4	HDPE	PP	PP
002324	2	4	PP	PP	PP

SIZE CODE.....	-0008	-0015
SIZE (NOM VOL L/GAL):	8/2	15/4
NOM. BRIM CAP. (L.):	9	16
NECK FINISH (mm):	63-415	63-415
THREAD (T.P.I.):	6	6
NOM. WEIGHT W/CLOSURE (gms):	1000	1550
A (NECK I.D.):	1.74 ± 0.05	1.74 ± 0.05
B (HT. W/CLOSURE):	6.26 ± 0.14	8.25 ± 0.16
C (HT. W/D CLOSURE):	6.13 ± 0.14	8.10 ± 0.16
D .....	12.0 ± 0.3	14.6 ± 0.3
E .....	14.4 ± 0.3	14.6 ± 0.3
W.T. (NOM. WALL THK):	0.07	0.07

NOTES:

1. ALL DIMENSIONS ARE NOMINAL AND IN INCHES AND MILLIMETERS UNLESS OTHERWISE NOTED.
2. THIS IS NOT A PRODUCTION DRAWING, BUT IS FOR INFORMATIONAL PURPOSES ONLY, AND IS SUBJECT TO CHANGE WITHOUT NOTICE.



SPECS ON BACK

NOT TO SCALE

CONFIDENTIAL

THIS PRODUCT SPECIFICATION SHEET CONTAINS CONFIDENTIAL AND/OR PROPRIETARY INFORMATION AND IS TO BE USED ONLY FOR THE EXPRESSED PURPOSES AGREED UPON BY AN AUTHORIZED OFFICER OF THERMO FISHER SCIENTIFIC.

**ThermoFisher**  
**SCIENTIFIC**

Thermo Fisher Scientific  
75 Panorama Creek Drive  
Rochester, NY 14625-2385, USA

DATE	NS	APP'D PVC	PSS 00-232X-XXXX-2	REV.	—
DATE	PVC	2/15/91			

LOWBOYS

DOMINIQUE DUTY