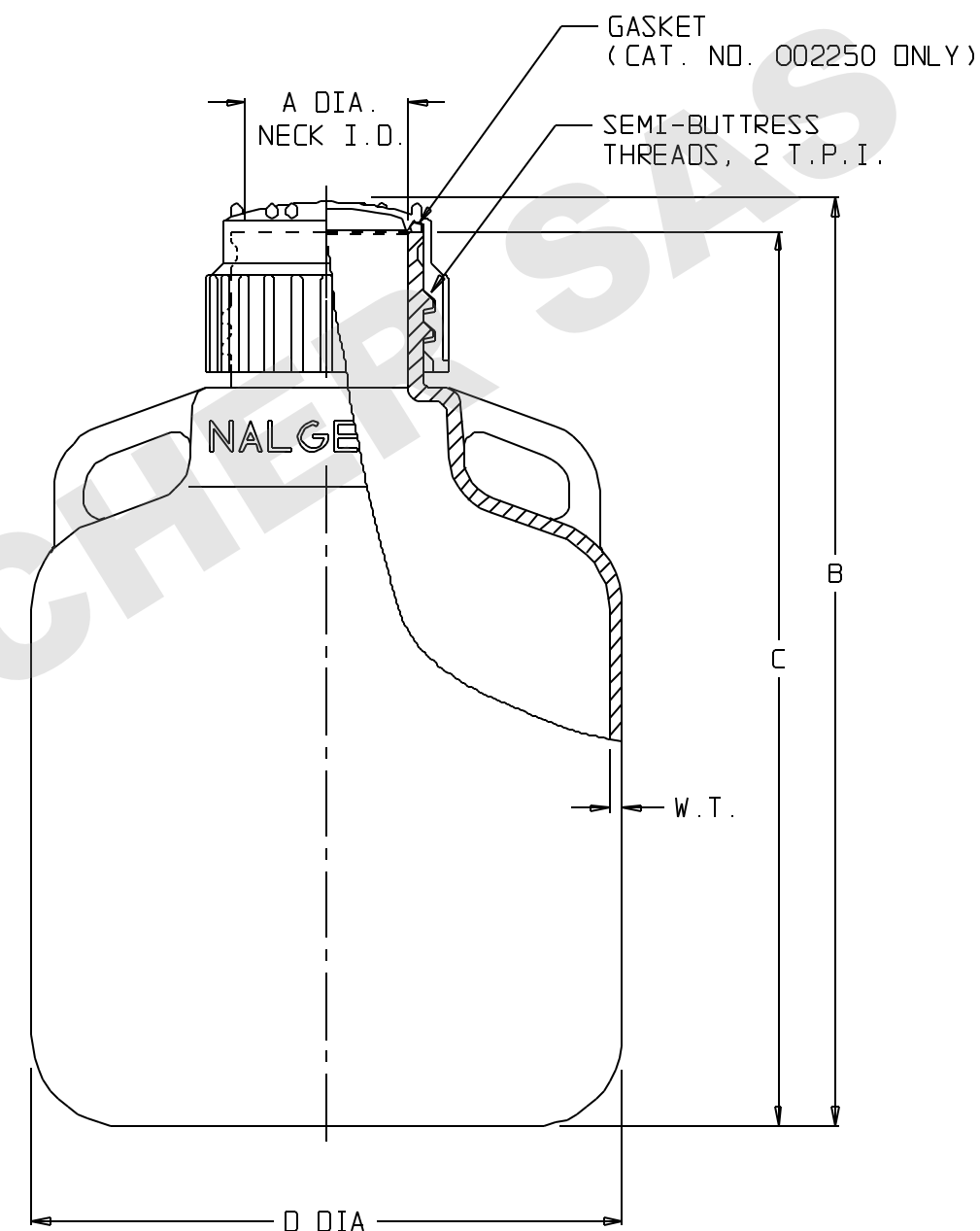


CATALOG NO.	NOMINAL CAPACITY (GAL)					MATERIALS		
						CARBOY	CLOSURE	GASKET
002210	2.5	3.75	5	6.5	13	LOPE	WHITE PP	—
002250	2.5	—	5	—	13	PP	WHITE PP	TPE (KRATON)

SIZE CODE	-0020		-0040		-0050		-0065		-0130	
SIZE (NOM VOL L/GAL)	10/2.5		15/3.75		20/5		25/6.5		50/13	
NOM. BRIM CAP. (L)	12		17		22.5		27.5		54	
NECK FINISH (mm)	838		838		838		838		838	
THREAD (T.P.I.)	2		2		2		2		2	
NOM. WEIGHT W/ CLOSURE (gms)	1050		1600		1700		1750		3500	
	INCHES	MM	INCHES	MM	INCHES	MM	INCHES	MM	INCHES	MM
A (NECK I.D.)	2.52±.10	64.0±2.5	2.52±.10	64.0±2.5	2.52±.10	64.0±2.5	2.52±.10	64.0±2.5	2.52±.10	64.0±2.5
B (HT. W/ CLOSURE)	15.3±.2	389 ±5	16.9±.2	429 ±5	20.7±.3	526 ±8	23.4±.4	594 ±10	26.7±.5	678 ±13
C (HT. W/O CLOSURE)	14.8±.2	376 ±5	16.5±.2	419 ±5	20.2±.3	513 ±8	23.0±.4	584 ±10	25.3±.5	668 ±13
D (DIA)	9.85±.12	250.2±3.0	11.22±.14	285.0±3.6	11.10±.20	281.9±5.1	11.28±.14	286.5±3.6	14.92±.18	379.0±4.6
W.T. (NOM WALL THK)	0.12	3.0	0.14	3.6	0.16	4.1	0.16	4.1	0.18	4.6

NOTES:

- ALL DIMENSIONS ARE NOMINAL AND IN INCHES AND MILLIMETERS UNLESS OTHERWISE NOTED.
- THIS IS NOT A PRODUCTION DRAWING, BUT IS FOR INFORMATIONAL PURPOSES ONLY, AND IS SUBJECT TO CHANGE WITHOUT NOTICE.



SPECS ON BACK

NOT TO SCALE

CONFIDENTIAL

THIS PRODUCT SPECIFICATION SHEET CONTAINS CONFIDENTIAL AND/OR PROPRIETARY INFORMATION AND IS TO BE USED ONLY FOR THE EXPRESSED PURPOSES AGREED UPON BY AN AUTHORIZED OFFICER OF THERMO FISHER SCIENTIFIC.

**ThermoFisher**  
SCIENTIFIC

Thermo Fisher Scientific  
75 Panorama Creek Drive  
Rochester, NY 14625-2385, USA

MADE	PB	APP'D	GRP	PSS 00-22XX-XXXX-1	REV.	0606
CK'D	KR					

DESCRIPTION:  
ROUND CARBOY WITH HANDLES