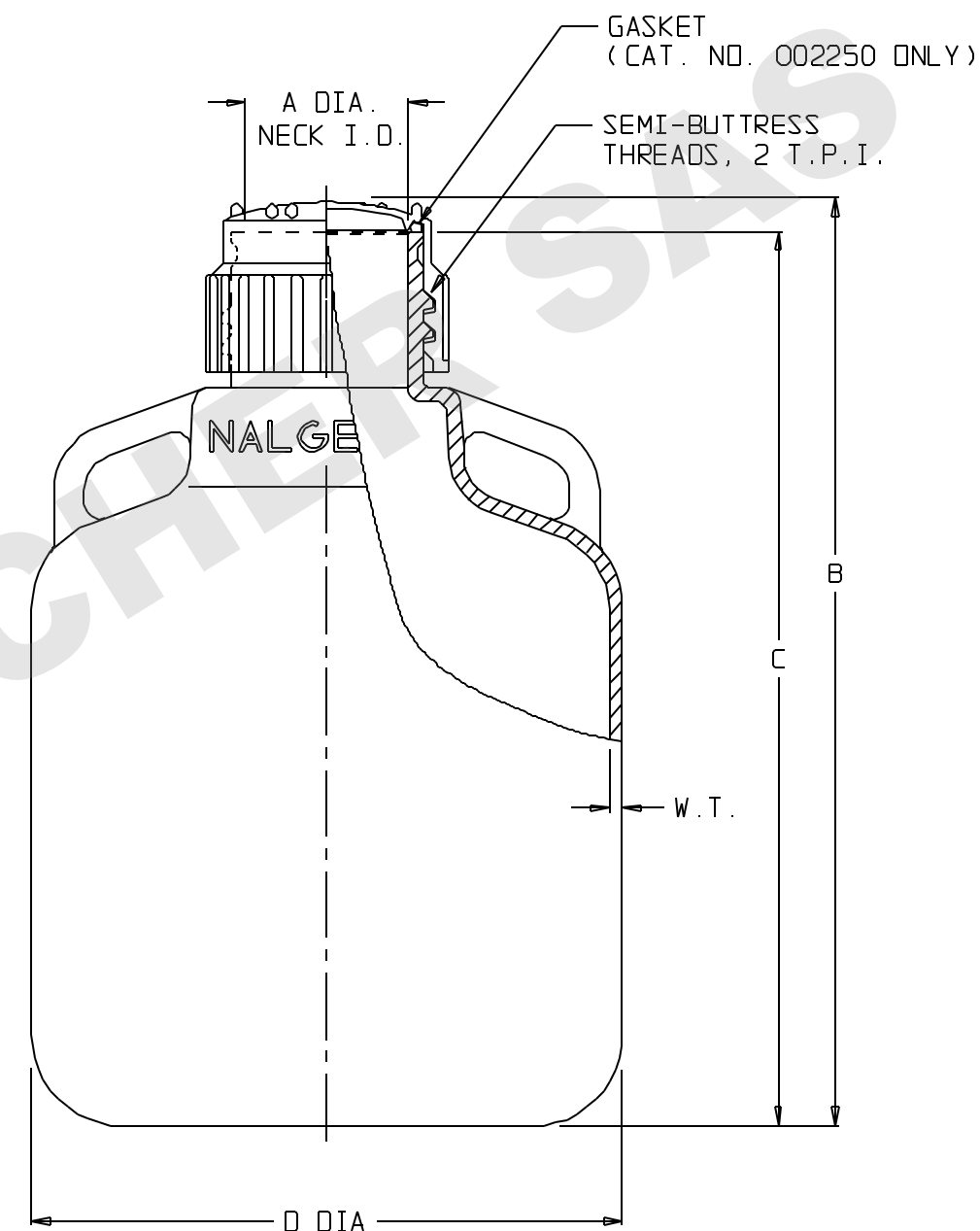


CATALOG NO.	NOMINAL CAPACITY (GAL)					MATERIALS		
						CARBOY	CLOSURE	GASKET
002210	2.5	3.75	5	6.5	13	LOPE	WHITE PP	—
002250	2.5	—	5	—	13	PP	WHITE PP	TPE (KRATON)

SIZE CODE	-0020		-0040		-0050		-0065		-0130	
SIZE (NOM VOL L/GAL)	10/2.5		15/3.75		20/5		25/6.5		50/13	
NOM. BRIM CAP. (L)	12		17		22.5		27.5		54	
NECK FINISH (mm)	838		838		838		838		838	
THREAD (T.P.I.)	2		2		2		2		2	
NOM. WEIGHT W/ CLOSURE (gms)	1050		1600		1700		1750		3500	
	INCHES	MM	INCHES	MM	INCHES	MM	INCHES	MM	INCHES	MM
A (NECK I.D.)	2.52±.10	64.0±2.5	2.52±.10	64.0±2.5	2.52±.10	64.0±2.5	2.52±.10	64.0±2.5	2.52±.10	64.0±2.5
B (HT. W/ CLOSURE)	15.3±.2	389 ±5	16.9±.2	429 ±5	20.7±.3	526 ±8	23.4±.4	594 ±10	26.7±.5	678 ±13
C (HT. W/O CLOSURE)	14.8±.2	376 ±5	16.5±.2	419 ±5	20.2±.3	513 ±8	23.0±.4	584 ±10	25.3±.5	668 ±13
D (DIA)	9.85±.12	250.2±3.0	11.22±.14	285.0±3.6	11.10±.20	281.9±5.1	11.28±.14	286.5±3.6	14.92±.18	379.0±4.6
W.T. (NOM WALL THK)	0.12	3.0	0.14	3.6	0.16	4.1	0.16	4.1	0.18	4.6

NOTES:

- ALL DIMENSIONS ARE NOMINAL AND IN INCHES AND MILLIMETERS UNLESS OTHERWISE NOTED.
- THIS IS NOT A PRODUCTION DRAWING, BUT IS FOR INFORMATIONAL PURPOSES ONLY, AND IS SUBJECT TO CHANGE WITHOUT NOTICE.



SPECS ON BACK

NOT TO SCALE

CONFIDENTIAL

THIS PRODUCT SPECIFICATION SHEET CONTAINS CONFIDENTIAL AND/OR PROPRIETARY INFORMATION AND IS TO BE USED ONLY FOR THE EXPRESSED PURPOSES AGREED UPON BY AN AUTHORIZED OFFICER OF THERMO FISHER SCIENTIFIC.

ThermoFisher
SCIENTIFIC

Thermo Fisher Scientific
75 Panorama Creek Drive
Rochester, NY 14625-2385, USA

MADE	PB	APP'D	GRP	PSS 00-22XX-XXXX-1	REV.	0606
CK'D	KR					

DESCRIPTION:
ROUND CARBOY WITH HANDLES