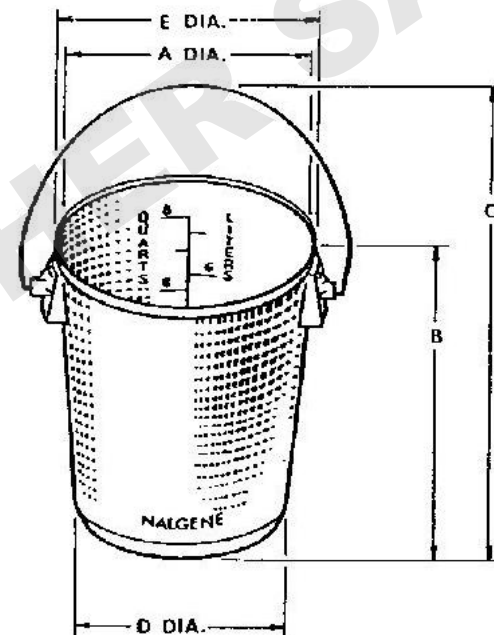


CATALOG NO.	NOMINAL CAPACITY (QTS)			MATERIALS	
				PAIL	HANDLE
007012	8	11	14	WHITE PP	BLACK NYLON-COATED WIRE

SIZE CODE	-0080		-0110		-0140	
NOM. CAP. (L/QTS)	7.6/8		10.4/11		13.2/14	
NOM. BRIM CAP. (L)	8.4		12		15.2	
NOM. WEIGHT (gms)	430		550		680	
	INCH	MM	INCH	MM	INCH	MM
A (I.D. AT TOP)	8.75	222.3	9.74	247.4	10.62	269.8
B (HEIGHT)	10.2	259	11.5	292	12.4	315
C (HT. W/ HANDLE UP)	15.7	400	17.5	445	18.8	478
D (BASE D.O.)	7.75	196.9	8.65	219.7	9.16	240.3
E (LIP D.O. AT TOP)	9.5	241	10.5	267	11.4	290

NOTES:

1. ALL DIMENSIONS ARE NOMINAL AND IN INCHES AND MILLIMETERS UNLESS OTHERWISE NOTED.
2. THIS IS NOT A PRODUCTION DRAWING, BUT IS FOR INFORMATIONAL PURPOSES ONLY, AND IS SUBJECT TO CHANGE WITHOUT NOTICE.



NOT TO SCALE

SPECS ON BACK

NOT TO SCALE

CONFIDENTIAL

THIS PRODUCT SPECIFICATION SHEET CONTAINS CONFIDENTIAL AND/OR PROPRIETARY INFORMATION AND IS TO BE USED ONLY FOR THE EXPRESSED PURPOSES AGREED UPON BY AN AUTHORIZED OFFICER OF THERMO FISHER SCIENTIFIC.

ThermoFisher
SCIENTIFIC

Thermo Fisher Scientific
75 Ponorono Creek Drive
Rochester, NY 14625-2385, USA

MADE	MCC	APP'D	PVC	REV	1195
CK'D	PVC	11/3/95	PSS 00-7012-0XXX-1		

DESCR #P110N:

BUCKETS