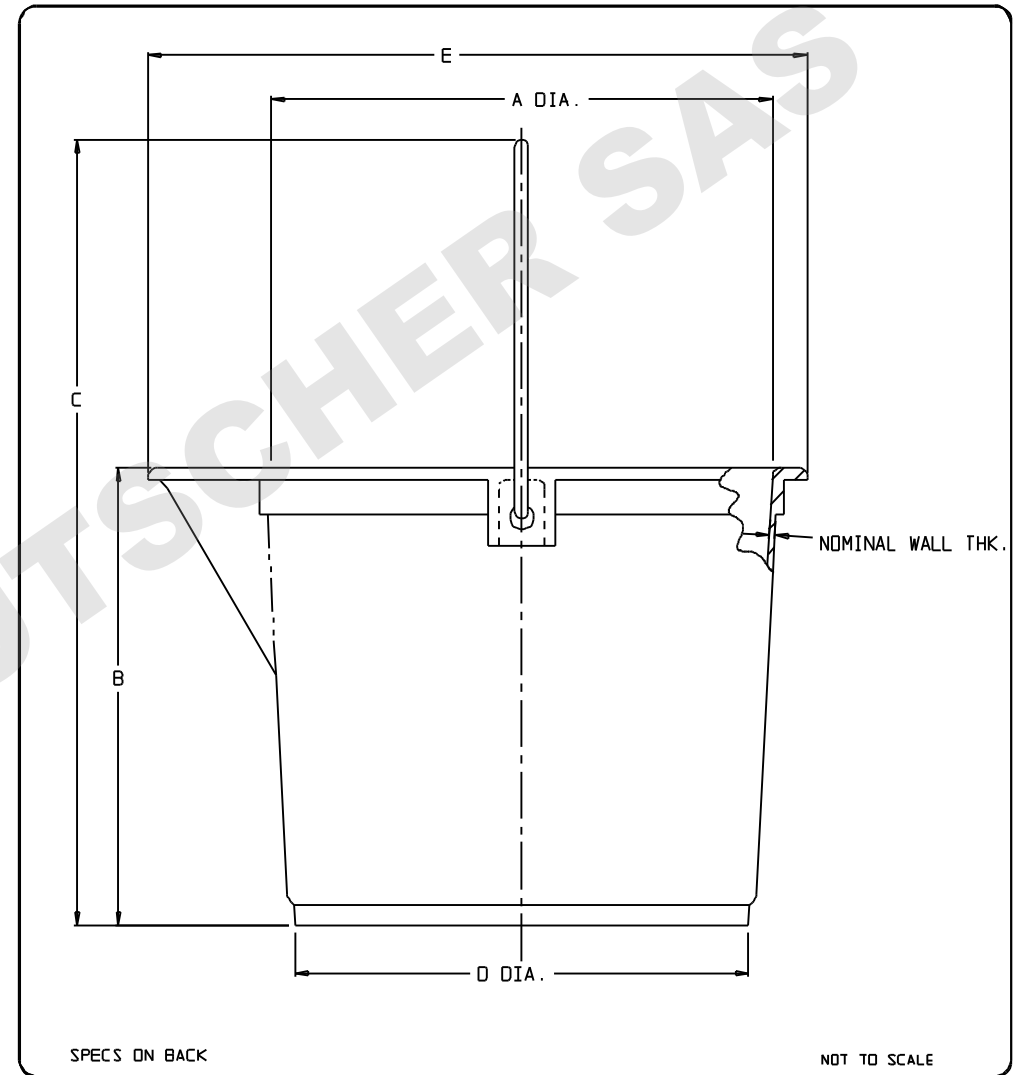


CATALOG NO.	NOMINAL CAPACITY (GALS)	MATERIALS	
		PAIL	HANDLE
7002-0025	2.5	WHITE HDPE	BLACK NYLON-COATED WIRE

NOM. CAP. (L/GALS).....:	9.5/2.5	
NOM. BRIM CAP. (L).....:	10.8	
NOM. WEIGHT (gms).....:	940	
	INCH	MM
A (I.D. AT TOP).....:	10.1	257
B (HEIGHT).....:	9.2	234
C (HT. W/ HANDLE UP).....:	15.9	404
D (BASE O.D.).....:	9.16	233
E (WIDTH AT SPOUT).....:	12.9	328
NOMINAL WALL THK.....:	.12	3



NOTES:

1. ALL DIMENSIONS ARE NOMINAL AND IN INCHES AND MILLIMETERS UNLESS OTHERWISE NOTED.
2. THIS IS NOT A PRODUCTION DRAWING, BUT IS FOR INFORMATIONAL PURPOSES ONLY, AND IS SUBJECT TO CHANGE WITHOUT NOTICE.

CONFIDENTIAL

THIS PRODUCT SPECIFICATION SHEET CONTAINS CONFIDENTIAL AND/OR PROPRIETARY INFORMATION AND IS TO BE USED ONLY FOR THE EXPRESSED PURPOSES AGREED UPON BY AN AUTHORIZED OFFICER OF THERMO FISHER SCIENTIFIC.

ThermoFisher
SCIENTIFIC

Thermo Fisher Scientific
75 Ponorono Creek Drive
Rochester, NY 14625-2385, USA

TRADE	ISP	APP'D	REV.
CR'D	PVC	5/18/00	0500

PSS 00-7002-0025

DESCRIPTION:

BUCKET WITH GRADUATIONS