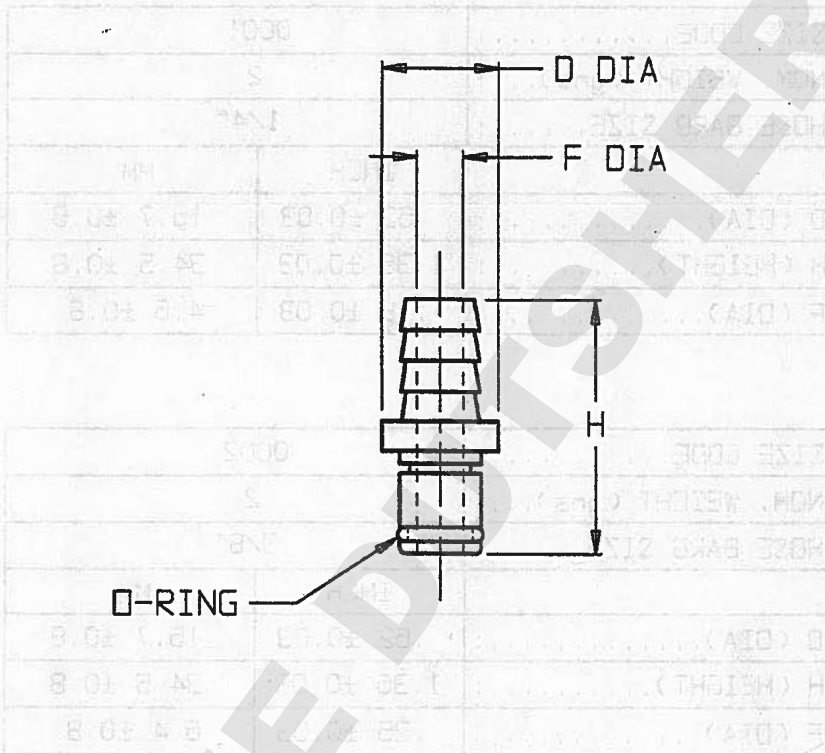


MATERIAL	CATALOG	
D-RING	FITTING	NO.
BLU-M	ACETAL	002159



SPECS ON BACK

NOT TO SCALE

Confidential

This Product Spec. Sheet contains confidential and/or proprietary information and is to be used only for the expressed purposes agreed upon by an authorized officer of the Nalge Company.



Nalge Nunc International
 P.O. Box 20365
 75 Panorama Creek Drive
 Rochester, NY 14602, USA

A Subsidiary of Sybron International

MADE	MC ²	APP'D	PSS 00-2159-000X-1	REV.
CK'D	BR	2/10/00		02/00

DESCRIPTION: QUICK DISCONNECT INSERT
 1/4" & 3/8" HOSE BARB

CATALOG NO.	MATERIAL	
	FITTING	O-RING
002159	ACETAL	BLUNA-N

SIZE CODE.....:	0001	
NOM. WEIGHT (gms)....:	2	
HOSE BARB SIZE.....:	1/4"	
	INCH	MM
D (DIA).....:	.62 ±0.03	15.7 ±0.8
H (HEIGHT).....:	1.36 ±0.03	34.5 ±0.8
F (DIA).....:	.18 ±0.03	4.6 ±0.8

SIZE CODE.....:	0002	
NOM. WEIGHT (gms)....:	2	
HOSE BARB SIZE.....:	3/8"	
	INCH	MM
D (DIA).....:	.62 ±0.03	15.7 ±0.8
H (HEIGHT).....:	1.36 ±0.03	34.5 ±0.8
F (DIA).....:	.25 ±0.03	6.4 ±0.8

2. This is not a production drawing, but is for informational purposes only, and is subject to change without notice.

1. All dimensions are nominal and in inches and millimeters unless otherwise noted.