

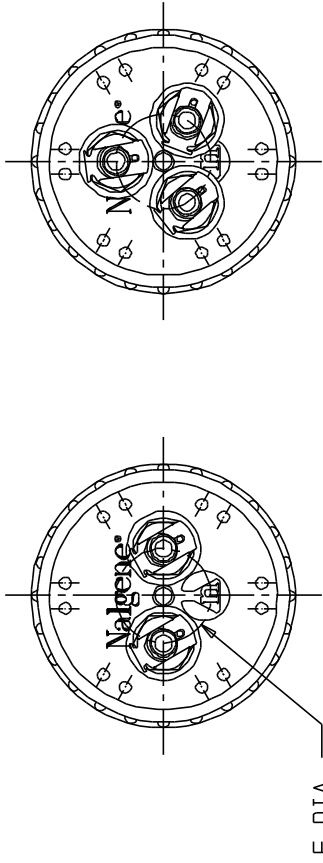
CATALOG NO.	NOMINAL SIZE (mm)	MATERIAL	
		CLOSURE	FITTING
002158	83-B	PP	ACETAL

SIZE CODE	0022	0032		
THREAD FINISH (mm)	83	83		
TREAD (T.P.I.)	2	2		
NOM. WEIGHT (gms)	133	154		
HOSE BARB SIZE	3/8"	3/8"		
NUMBER OF FITTINGS	2	3		
	INCH	MM	INCH	MM
D (DIA)	4.00 ±0.03	101.6 ±0.8	4.00 ±0.03	101.6 ±0.8
H (HEIGHT)	4.25	107.9	4.25	107.9
F (DIA)	1.25	31.8	1.25	31.8

SIZE CODE	0021	0031		
THREAD FINISH (mm)	83	83		
TREAD (T.P.I.)	2	2		
NOM. WEIGHT (gms)	133	154		
HOSE BARB SIZE	1/4"	1/4"		
NUMBER OF FITTINGS	2	3		
	INCH	MM	INCH	MM
D (DIA)	4.00 ±0.03	101.6 ±0.8	4.00 ±0.03	101.6 ±0.8
H (HEIGHT)	4.25	107.9	4.25	107.9
F (DIA)	1.25	31.8	1.25	31.8

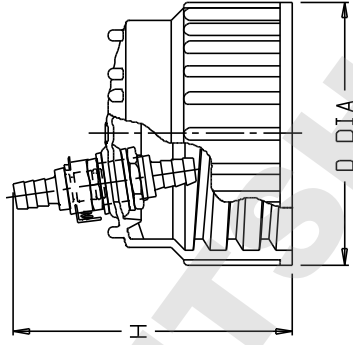
2. This is not a production drawing, but is for informational purposes only, and is subject to change without notice.

1. All dimensions are nominal and in inches and millimeters unless otherwise noted.



2-PORT ASSEMBLY

3-PORT ASSEMBLY



SPECS ON BACK

NOT TO SCALE

ThermoFisher
SCIENTIFIC

Thermo Fisher Scientific
75 Fonorona Creek Drive
Rochester, NY 14625-2385, USA

MADE IN JAPAN
JDD PVC
CR:R PVC
DESCRIPTION:

APP'G PVC
5/20/05
PSS 00-2158-00XX

REF.
0505

83-B CLOSURE WITH
QUICK DISCONNECTS

CONFIDENTIAL

THIS PRODUCT SPECIFICATION SHEET CONTAINS CONFIDENTIAL AND/OR PROPRIETARY INFORMATION AND IS TO BE USED ONLY FOR THE EXPRESSED PURPOSES AGREED UPON BY AN AUTHORIZED OFFICER OF THERMO FISHER SCIENTIFIC.