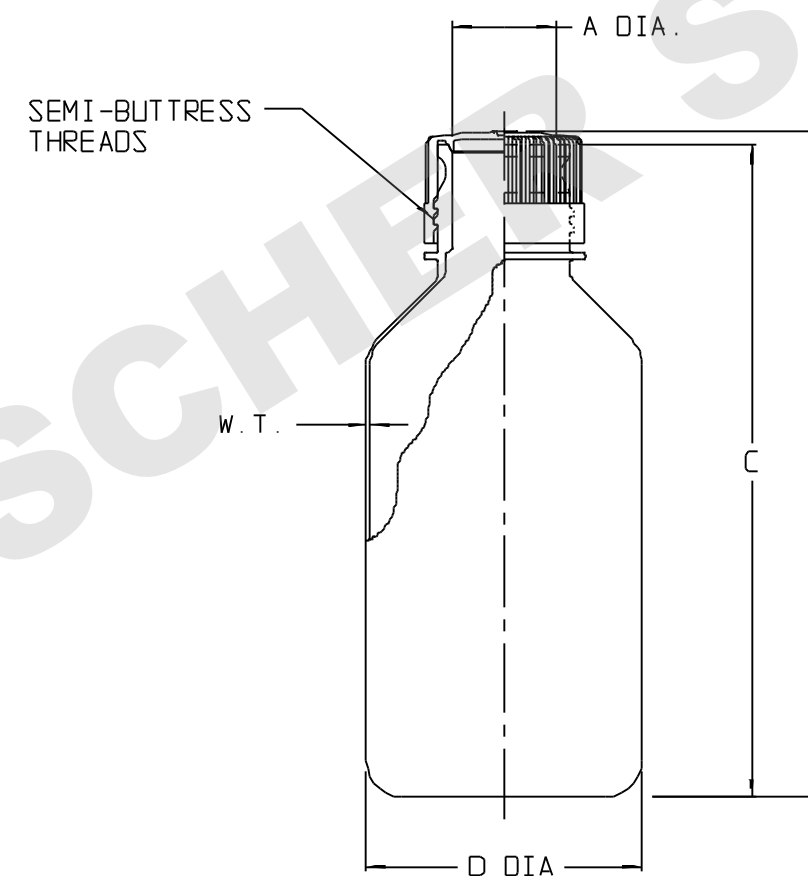


CATALOG NO.	NOMINAL CAPACITY (oz.)		MATERIALS	
			BOTTLE	CLOSURE
002205	16	32	PC	PP

SIZE CODE.....:	-0016		-0032	
SIZE (NOM VOL mL/oz):	500/16		1000/32	
NOM. BRIM CAP. (mL):	625		1090	
NECK FINISH (mm):	38-430		38-430	
THREAD (T.P.I.):	6		6	
NOM. WEIGHT W/CLOSURE (gms):	101		160	
	INCHES	MM	INCHES	MM
A (NECK I.D.):	1.100 ±0.025	27.94 ±0.64	1.100 ±0.025	27.94 ±0.64
B (HT. W/CLOSURE):	7.0 ±0.10	177.8 ±2.5	9.05 ±0.10	229.9 ±2.5
C (HT. W/D CLOSURE):	6.87 ±0.10	174.5 ±2.5	8.88 ±0.10	225.6 ±2.5
D (DIA):	3.22 ±0.08	81.8 ±2.0	3.64 ±0.08	92.5 ±2.0
W.T. (NOM WALL THK):	0.06	1.5	0.06	1.5

NOTES:

1. ALL DIMENSIONS ARE NOMINAL AND IN INCHES AND MILLIMETERS UNLESS OTHERWISE NOTED.
2. THIS IS NOT A PRODUCTION DRAWING, BUT IS FOR INFORMATIONAL PURPOSES ONLY, AND IS SUBJECT TO CHANGE WITHOUT NOTICE.



SPECS ON BACK

NOT TO SCALE

CONFIDENTIAL

THIS PRODUCT SPECIFICATION SHEET CONTAINS CONFIDENTIAL AND/OR PROPRIETARY INFORMATION AND IS TO BE USED ONLY FOR THE EXPRESSED PURPOSES AGREED UPON BY AN AUTHORIZED OFFICER OF THERMO FISHER SCIENTIFIC.

ThermoFisher
SCIENTIFIC

Thermo Fisher Scientific
75 Panorama Creek Drive
Rochester, NY 14625-2385, USA

MADE NS/JD	APP'D GRP	PSS 00-2205-00XX-1	REV.
CK'D DM	1/25/05		0105

DESCRIPTION: LARGE, NARROW-MOUTH ROUND BOTTLES