

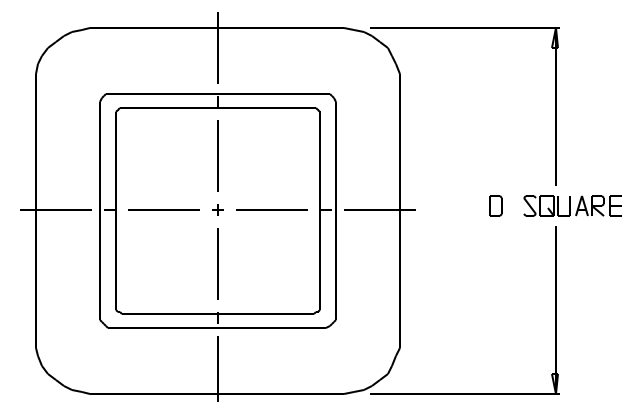
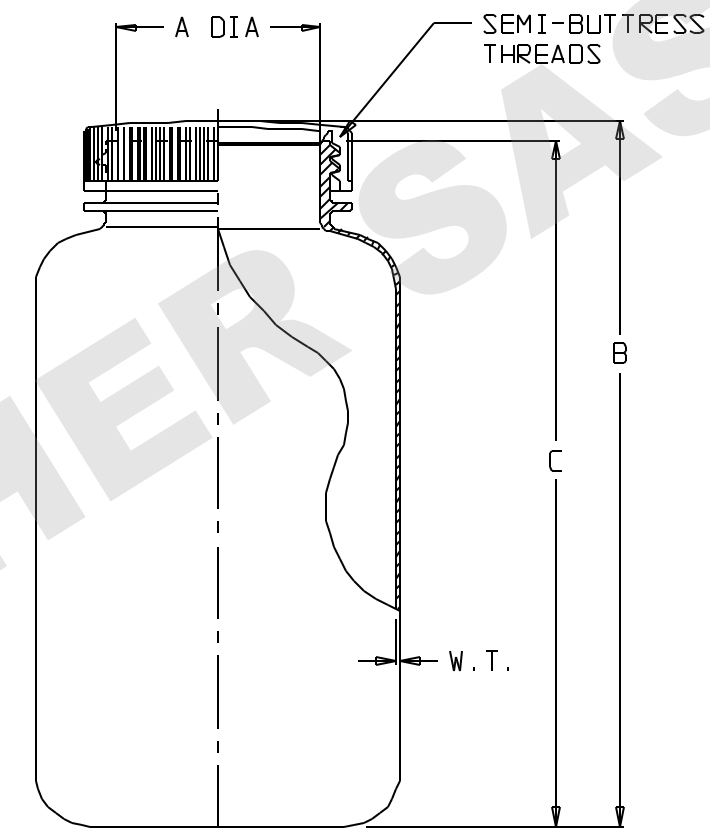
CATALOG NO.	NOMINAL CAPACITY, (oz)					MATERIALS	
						BOTTLE	CLOSURE
002110	2	6	8	16	32	PP	PP
002114	2	6	8	16	32	HDPE	PP

SIZE CODE	-0002		-0006		-0008	
SIZE (NOM VOL mL/oz)	60/ 2		175/ 6		250/ 8	
NOM. BRIM CAP. (mL)	68		185		290	
NECK FINISH (mm)	28-415		38-415		43-415	
THREAD (T.P.I.)	6		6		6	
NOM. WEIGHT W/CLOSURE (gms)	15		33		36	
	INCH	MM	INCH	MM	INCH	MM
A (NECK I.D.)	0.82 ± 0.02	20.8 ± 0.5	1.120 ± 0.025	28.4 ± 0.6	1.280 ± 0.025	32.5 ± 0.6
B (HT. W/CLOSURE)	3.28 ± 0.06	83.3 ± 1.5	4.17 ± 0.08	105.9 ± 2.0	4.56 ± 0.08	115.8 ± 2.0
C (HT. W/O CLOSURE)	3.16 ± 0.06	80.3 ± 1.5	4.04 ± 0.08	102.6 ± 2.0	4.39 ± 0.08	111.5 ± 2.0
D (SQUARE)	1.45 ± 0.03	36.8 ± 0.8	2.05 ± 0.05	52.1 ± 1.3	2.44 ± 0.06	62.0 ± 1.5
W.T. (NOM. WALL THK)	0.045	1.14	0.060	1.52	0.060	1.52

SIZE CODE	-0016		-0032	
SIZE (NOM VOL mL/oz)	500/16		1000/32	
NOM. BRIM CAP. (mL)	570		1170	
NECK FINISH (mm)	53-415		63-415	
THREAD (T.P.I.)	6		6	
NOM. WEIGHT W/CLOSURE (gms)	62		110	
	INCH	MM	INCH	MM
A (NECK I.D.)	1.72 ± 0.03	43.7 ± 0.8	2.07 ± 0.04	52.6 ± 1.0
B (HT. W/CLOSURE)	5.73 ± 0.08	145.5 ± 2.0	7.12 ± 0.09	180.8 ± 2.3
C (HT. W/O CLOSURE)	5.55 ± 0.08	141.0 ± 2.0	6.94 ± 0.09	176.3 ± 2.3
D (SQUARE)	2.97 ± 0.06	75.4 ± 1.5	3.72 ± 0.07	94.5 ± 1.8
W.T. (NOM. WALL THK)	0.065	1.65	0.080	2.03

NOTES:

- ALL DIMENSIONS ARE NOMINAL AND IN INCHES AND MILLIMETERS UNLESS OTHERWISE NOTED.
- THIS IS NOT A PRODUCTION DRAWING, BUT IS FOR INFORMATIONAL PURPOSES ONLY, AND IS SUBJECT TO CHANGE WITHOUT NOTICE.



SPECS ON BACK

NOT TO SCALE

CONFIDENTIAL

THIS PRODUCT SPECIFICATION SHEET CONTAINS CONFIDENTIAL AND/OR PROPRIETARY INFORMATION AND IS TO BE USED ONLY FOR THE EXPRESSED PURPOSES AGREED UPON BY AN AUTHORIZED OFFICER OF THERMO FISHER SCIENTIFIC.

**ThermoFisher**  
SCIENTIFIC

Thermo Fisher Scientific  
75 Panorama Creek Drive  
Rochester, NY 14625-2385, USA

MADE	MG	APP'D	PVC	PSS 00-211X-XXXX-1	REV.	1291
CK'D	PVC		2/21/92			

DESCRIPTION:  
SQUARE, WIDE-MOUTH  
LAB QUALITY BOTTLES