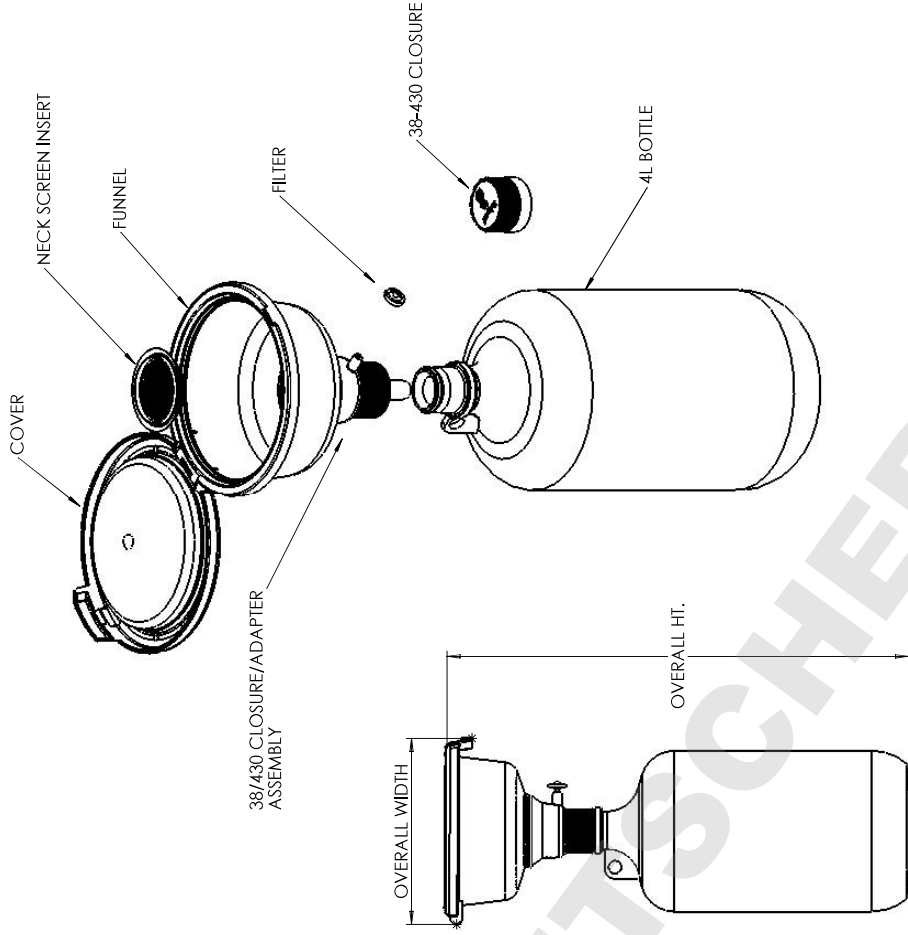


CATALOG NUMBER.....	6379-0004	
NOM. CONTAINER CAPACITY (L).....	4	
CLOSURE SIZE (mm).....	38-430	
NOM. WT. (gms).....	570	
	INCH	MM
FUNNEL TOP I.D.....	5.5	140
NOM. OVERALL HT. W/ LID CLOSED.....	17.6	447
NOM. OVERALL WIDTH W/ LID CLOSED.....	7.0	178

COMPONENT	MATERIAL
COVER	RED HDPE
FUNNEL	HDPE
NECK SCREEN INSERT	PP
38-430 CLOSURE	PP
FUNNEL ADAPTER	PP
FILTER HOUSING/MEMBRANE	PP/P/PE
4L BOTTLE W/ CLOSURE	HDPE/PP

1. ALL DIMENSIONS ARE NOMINAL AND IN INCHES AND MILLIMETERS UNLESS OTHERWISE NOTED.
2. THIS IS NOT A PRODUCTION DRAWING, BUT IS FOR INFORMATIONAL PURPOSES ONLY, AND IS SUBJECT TO CHANGE WITHOUT NOTICE.



SPECS ON BACK

NOT TO SCALE

ThermoFisher
S C I E N T I F I C

Thermo Fisher Scientific
75 Panorama Creek Drive
Rochester, NY 14625-2385, USA

MATERIAL	MCC	PVC	PVC
DATE	11/30/01		

PSS 00-6379-0004

REV. 1101

4L SAFETY WASTE FUNNEL SYSTEM

CONFIDENTIAL

THIS PRODUCT SPECIFICATION SHEET CONTAINS CONFIDENTIAL AND/OR PROPRIETARY INFORMATION AND IS TO BE USED ONLY FOR THE EXPRESSED PURPOSES AGREED UPON BY AN AUTHORIZED OFFICER OF THERMO FISHER SCIENTIFIC.