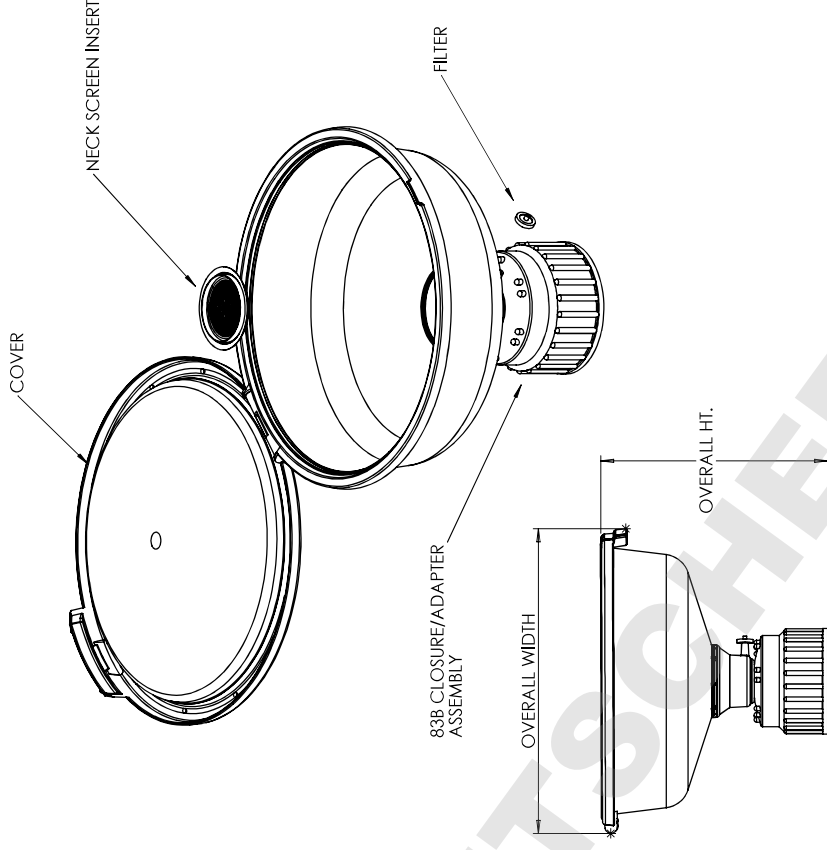


CATALOG NUMBER.....	6378-0010
CLOSURE SIZE (mm).....	83B
NOM. WT. (gms).....	490
	INCH
FUNNEL TOP I.D.....	MM
NOM. OVERALL HT. W/ CLOSED LID.....	10
NOM. OVERALL HT. W/ CLOSED LID.....	8.6
NOM. OVERALL WIDTH W/ CLOSED LID.....	11.4
	290

COMPONENT	MATERIAL
COVER	RED HDPE
FUNNEL	HDPE
NECK SCREEN INSERT	PP
83B CLOSURE	WHITE PP
FUNNEL ADAPTER	PP
FILTER HOUSING/MEMBRANE	PP/PiFE

1. ALL DIMENSIONS ARE NOMINAL AND IN INCHES AND MILLIMETERS UNLESS OTHERWISE NOTED.
2. THIS IS NOT A PRODUCTION DRAWING, BUT IS FOR INFORMATIONAL PURPOSES ONLY, AND IS SUBJECT TO CHANGE WITHOUT NOTICE.



SPECS ON BACK

NOT TO SCALE

CONFIDENTIAL

THIS PRODUCT SPECIFICATION SHEET CONTAINS CONFIDENTIAL AND/OR PROPRIETARY INFORMATION AND IS TO BE USED ONLY FOR THE EXPRESSED PURPOSES AGREED UPON BY AN AUTHORIZED OFFICER OF THERMO FISHER SCIENTIFIC.

ThermoFisher
S C I E N T I F I C

Thermo Fisher Scientific
75 Pancrama Creek Drive
Rochester, NY 14625-2385, USA

MATERIAL	MCC	PPS	PVC	REV.	1101
DATE	PVC	11/30/01			
DESCRIPTION:	PSS 00-6378-0010				

83B SAFETY WASTE FUNNEL ASSEMBLY