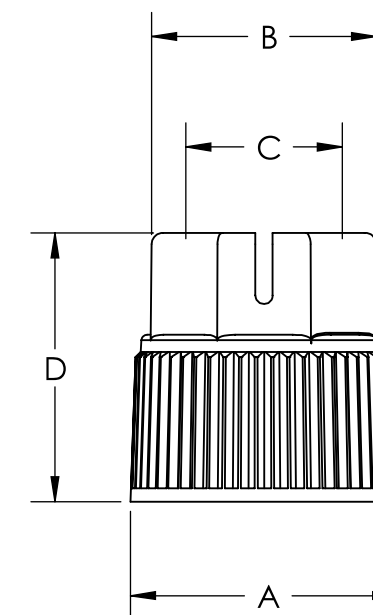
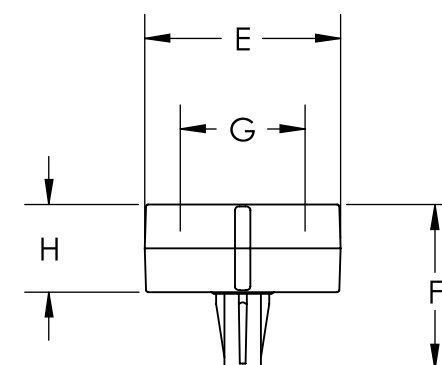
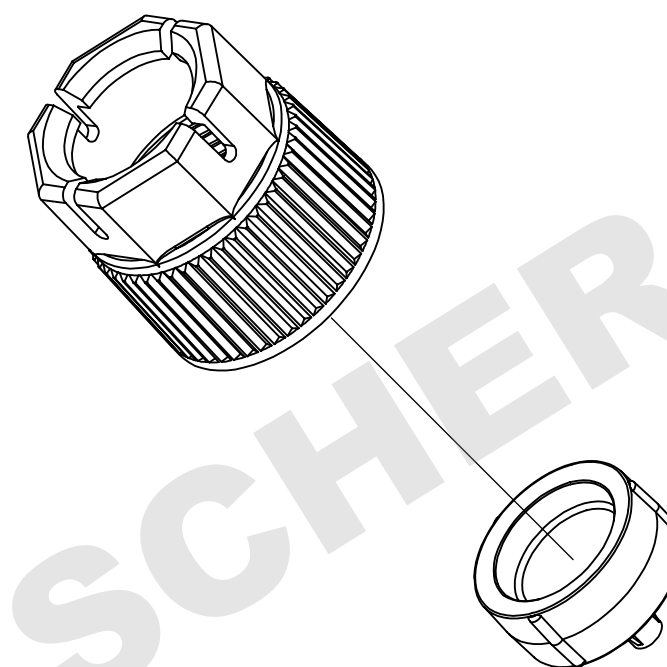


CATALOG NUMBER.....:	6423	
SIZE CODE.....:	-0010	
NOM. WEIGHT (gms)....:	11.6	
THREAD.....:	1 1/8-12 UNF	
	INCH	MM
A (NUT O.D.).....:	1.39	35.3
B (ACROSS FLATS).....:	1.17	29.7
C (NUT I.D.).....:	0.83	2.1
D (OVERALL HEIGHT)....:	1.40	35.6
E (PLUG O.D.).....:	1.00	25.4
F (PLUG OAL HEIGHT)..:	0.84	21.3
G (PLUG I.D.).....:	0.70	17.8
H (PLUG HEIGHT).....:	0.45	11.4

MATERIALS	
NUT	PP (WHITE)
PLUG	TPE (NATURAL)



SPECS ON BACK

NOT TO SCALE

1. ALL DIMENSIONS ARE NOMINAL AND IN INCHES AND MILLIMETERS UNLESS OTHERWISE NOTED.
2. THIS IS NOT A PRODUCTION DRAWING, BUT IS FOR INFORMATIONAL PURPOSES ONLY, AND IS SUBJECT TO CHANGE WITHOUT NOTICE.

CONFIDENTIAL

THIS PRODUCT SPECIFICATION SHEET CONTAINS CONFIDENTIAL AND/OR PROPRIETARY INFORMATION AND IS TO BE USED ONLY FOR THE EXPRESSED PURPOSES AGREED UPON BY AN AUTHORIZED OFFICER OF THERMO FISHER SCIENTIFIC.

ThermoFisher
SCIENTIFIC

Thermo Fisher Scientific
75 Panorama Creek Drive
Rochester, NY 14625-2385, USA

MADE TL	APP'D GRP	PSS 00-6423-0010	REV. 0509
CK'D PB	5/12/09		

DESCRIPTION:
SPIGOT CLOSURE, PP/TPE