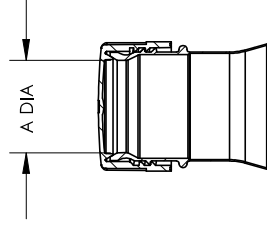


CATALOG NUMBER	NOMINAL CAPACITY (mL)						MATERIALS	
	125	250	500	1000	2000	2800	BOTTLE CLOSURE	LINER(70mm ONLY)
004113							PETG	LDPE/FOAM

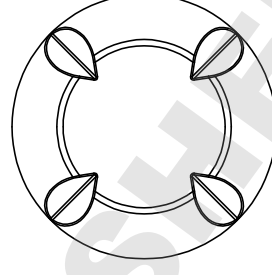
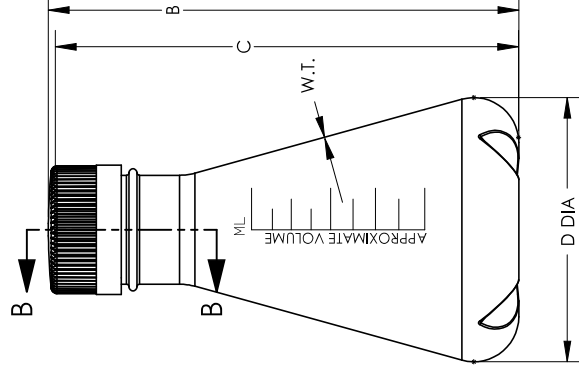
SIZE CODE.....:	-0125	-0250	-0500			
NOM. CAP.....:	125	250	500			
CLOSURE SIZE (mm).....:	38/430	38/430	45/430			
NOM. WEIGHT W/ CLOSURE (gms).....:	35	45	94			
	INCH	MM	INCH	MM	INCH	MM
A (NECK ID.).....:	1.04	26.4	1.04	26.4	1.48	37.6
B (HT. W/ CLOSURE).....:	4.44	112.8	5.39	136.9	7.00	177.8
C (HT W/O CLOSURE).....:	4.34	110.2	5.24	133.1	6.83	173.5
D (DIA.).....:	2.61	66.3	3.25	82.6	4.00	101.6
W.T. (NOM. WALL THK.).....:	.03	0.7	.03	0.7	.05	1.3

SIZE CODE.....:	-1000	-2000	-2800			
NOM. CAP.....:	1000	2000	2800			
CLOSURE SIZE (mm).....:	45/430	45/430	70			
NOM. WEIGHT W/ CLOSURE (gms).....:	100	150	300			
	INCH	MM	INCH	MM	INCH	MM
A (NECK ID.).....:	1.40	35.6	1.40	35.6	2.40	61.0
B (HT. W/ CLOSURE).....:	8.80	223.5	10.79	274.1	9.40	238.8
C (HT W/O CLOSURE).....:	8.61	218.7	10.64	270.3	9.02	229.1
D (DIA.).....:	5.11	129.8	6.36	161.5	8.00	203.2
W.T. (NOM. WALL THK.).....:	.03	0.7	.03	0.7	.03	0.7

1. ALL DIMENSIONS ARE NOMINAL AND IN INCHES AND MILLIMETERS UNLESS OTHERWISE NOTED.
2. THIS IS NOT A PRODUCTION DRAWING, BUT IS FOR INFORMATIONAL PURPOSES ONLY, AND IS SUBJECT TO CHANGE WITHOUT NOTICE.



SECTION B-B



BOTTOM VIEW

SPECS ON BACK

NOT TO SCALE

CONFIDENTIAL

THIS PRODUCT SPECIFICATION SHEET CONTAINS CONFIDENTIAL AND/OR PROPRIETARY INFORMATION AND IS TO BE USED ONLY FOR THE EXPRESSED PURPOSES AGREED UPON BY AN AUTHORIZED OFFICER OF THERMO FISHER SCIENTIFIC.

ThermoFisher
S C I E N T I F I C

Thermo Fisher Scientific
75 Pancrama Creek Drive
Rochester, NY 14625-2385, USA

NAME	TL	GRP		REV.	0313
DATE	CHL	3/5/13			
PSS 00-4113-XXXX					

BAFFLED STERILE DISPOSABLE FLASKS