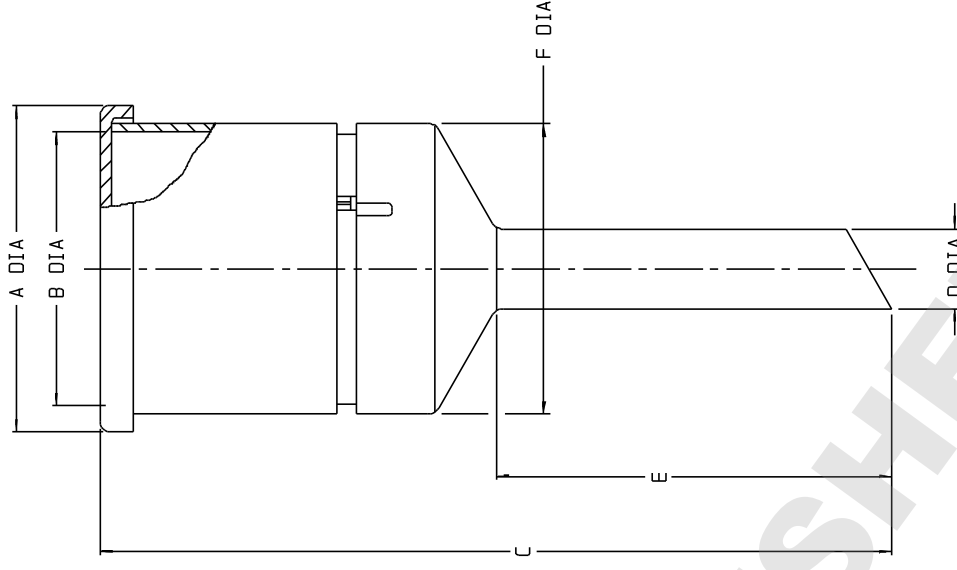


CATALOG NUMBER.....	140-4045	
PORE SIZE (µm).....	0.45	
VOL. BRIM CAP (mL).....	130	
FILTER UNIT.....	PS	
MATERIALS.....	C.N.	
MEMBRANE.....		
NOM. WEIGHT W/COVER (gms).....	43	
	INCH	MM
A (COVER D.O.).....	2.39 ±0.03	60.7 ±0.8
B (TOP I.D.).....	2.15 ±0.03	54.6 ±0.8
C (HEIGHT W/COVER).....	6.17 ±0.05	156.7 ±1.3
D (FUNNEL STEM D.O. AT BOTTOM).....	0.57 ±0.01	14.5 ±0.3
E (FUNNEL STEM LENGTH).....	2.95 ±0.03	74.9 ±0.8
F (TOP (BASE) D.O. AT BOTTOM).....	2.20 ±0.03	55.9 ±0.8

NOTES:

1. ALL DIMENSIONS ARE NOMINAL AND IN INCHES AND MILLIMETERS UNLESS OTHERWISE NOTED.
2. THIS IS NOT A PRODUCTION DRAWING, BUT IS FOR INFORMATIONAL PURPOSES ONLY, AND IS SUBJECT TO CHANGE WITHOUT NOTICE.



SPECS ON BACK

NOT TO SCALE

ThermoFisher
SCIENTIFIC

Thermo Fisher Scientific
75 Pancosmo Creek Drive
Rochester, NY 14625-2385, USA

NAME	MC2	APP'D	PVC	PSS 00-0140-4045	REV	0505
DATE		DATE	5/12/05			
DESCRIPTION:						

ANALYTICAL FILTER FUNNEL

CONFIDENTIAL

THIS PRODUCT SPECIFICATION SHEET CONTAINS CONFIDENTIAL AND/OR PROPRIETARY INFORMATION AND IS TO BE USED ONLY FOR THE EXPRESSED PURPOSES AGREED UPON BY AN AUTHORIZED OFFICER OF THERMO FISHER SCIENTIFIC.