

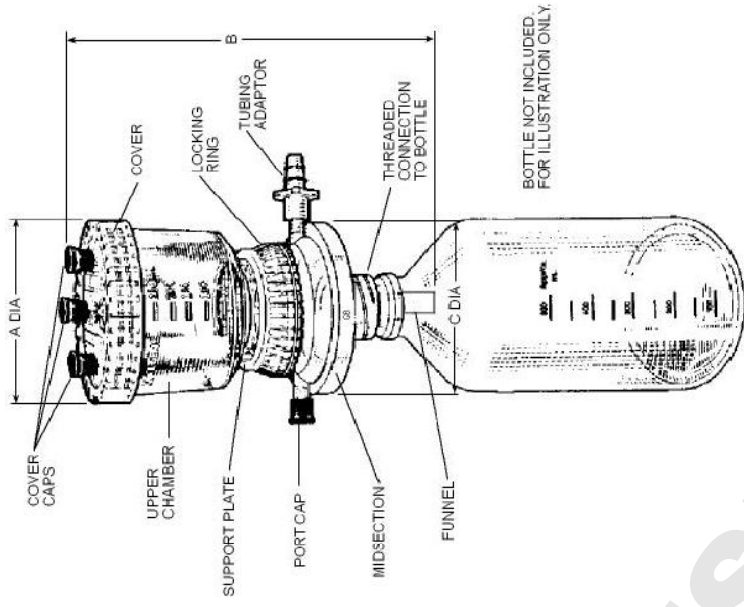
CATALOG NUMBER	NOMINAL CAPACITY, (mL)
DS0320	250 500

SIZE CODE.....:	-2533	-2545	-5033	-5045
NOMINAL CAPACITY (UPPER CHAMBER) (mL):	250	250	500	500
THREAD SIZE (mm).....:	33	45	33	45
	INCH	MM	INCH	MM
A (COVER O.D.).....:	3.7	94	4.7	119
	INCH	MM	INCH	MM
B (NDM. OVERALL HT.):	6.7	170	7.4	188
	INCH	MM	INCH	MM
C (MIDSECTION O.D.):	3.6	91	3.6	91
	INCH	MM	INCH	MM
NDM. FILTER AREA W/ STER. SPT. PLATE (cm.):	13.3	13.3	13.3	13.3

COMPONENT	MATERIAL
(4) COVER/PORT CAPS	TPE
COVER	PSF
COVER O-RING	RED SILICONE RUBBER
UPPER CHAMBER	PSF
LOCKING RING	WHITE PSF
SUPPORT PLATE O-RING	RED SILICONE RUBBER
STERILIZATION SUPPORT PLATE (ONE-PIECE)	PSF
MIDSECTION	PSF
FUNNEL	PSF
TUBING ADAPTOR	PP
BOTTLE TOP GASKET	RED SILICONE RUBBER

NOTES:

1. ALL DIMENSIONS ARE NOMINAL AND IN INCHES AND MILLIMETERS UNLESS OTHERWISE NOTED.
2. THIS IS NOT A PRODUCTION DRAWING, BUT IS FOR INFORMATIONAL PURPOSES ONLY, AND IS SUBJECT TO CHANGE WITHOUT NOTICE.



SPECS ON BACK

NOT TO SCALE

ThermoFisher
SCIENTIFIC

Thermo Fisher Scientific
75 Pancromo Creek Drive
Rochester, NY 14625-2385, USA

DATE: 4/16/02
REV: 0402

DESCRIPTION: REUSABLE BOTTLE TOP FILTERS

PSS DS0320-XXXX

REV: 0402

CONFIDENTIAL

THIS PRODUCT SPECIFICATION SHEET CONTAINS CONFIDENTIAL AND/OR PROPRIETARY INFORMATION AND IS TO BE USED ONLY FOR THE EXPRESSED PURPOSES AGREED UPON BY AN AUTHORIZED OFFICER OF THERMO FISHER SCIENTIFIC.