

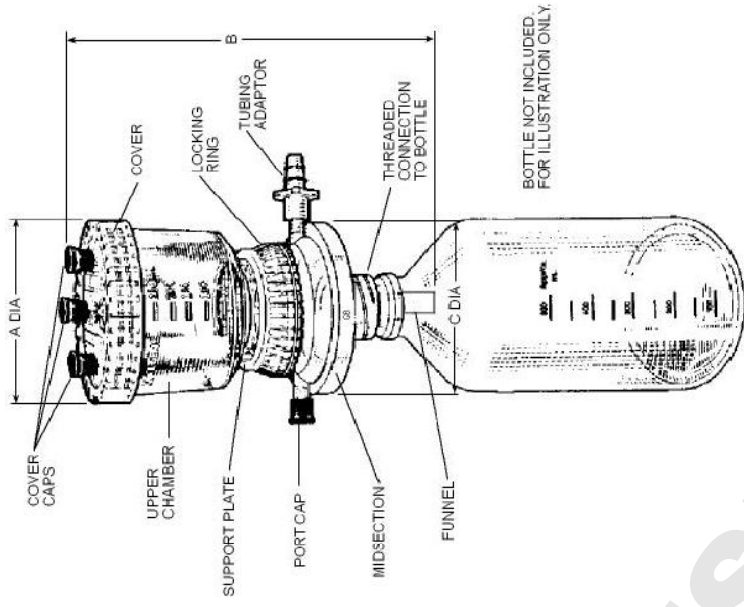
CATALOG NUMBER	NOMINAL CAPACITY, (mL)
DS0320	250 500

SIZE CODE.....	-2533	-2545	-5033	-5045
NOMINAL CAPACITY (UPPER CHAMBER) (mL):	250	250	500	500
THREAD SIZE (mm).....	33	45	33	45
	INCH	MM	INCH	MM
A (COVER O.D.).....	3.7	94	4.7	119
	INCH	MM	INCH	MM
B (NDM. OVERALL HT.):	6.7	170	7.4	188
	INCH	MM	INCH	MM
C (MIDSECTION O.D.):	3.6	91	3.6	91
	INCH	MM	INCH	MM
NDM. FILTER AREA W/ STER. SPT. PLATE (cm.):	13.3	13.3	13.3	13.3

COMPONENT	MATERIAL
(4) COVER/PORT CAPS	TPE
COVER	PSF
COVER O-RING	RED SILICONE RUBBER
UPPER CHAMBER	PSF
LOCKING RING	WHITE PSF
SUPPORT PLATE O-RING	RED SILICONE RUBBER
STERILIZATION SUPPORT PLATE (ONE-PIECE)	PSF
MIDSECTION	PSF
FUNNEL	PSF
TUBING ADAPTOR	PP
BOTTLE TOP GASKET	RED SILICONE RUBBER

NOTES:

1. ALL DIMENSIONS ARE NOMINAL AND IN INCHES AND MILLIMETERS UNLESS OTHERWISE NOTED.
2. THIS IS NOT A PRODUCTION DRAWING, BUT IS FOR INFORMATIONAL PURPOSES ONLY, AND IS SUBJECT TO CHANGE WITHOUT NOTICE.



SPECS ON BACK

NOT TO SCALE

**ThermoFisher**  
**SCIENTIFIC**

Thermo Fisher Scientific  
75 Pancrazio Creek Drive  
Rochester, NY 14625-2385, USA

DATE: 4/16/02  
REV: 0402

MATERIAL: PVC  
DESCRIPTION: PSS DS0320-XXXX

REUSABLE BOTTLE TOP FILTERS

CONFIDENTIAL

THIS PRODUCT SPECIFICATION SHEET CONTAINS CONFIDENTIAL AND/OR PROPRIETARY INFORMATION AND IS TO BE USED ONLY FOR THE EXPRESSED PURPOSES AGREED UPON BY AN AUTHORIZED OFFICER OF THERMO FISHER SCIENTIFIC.