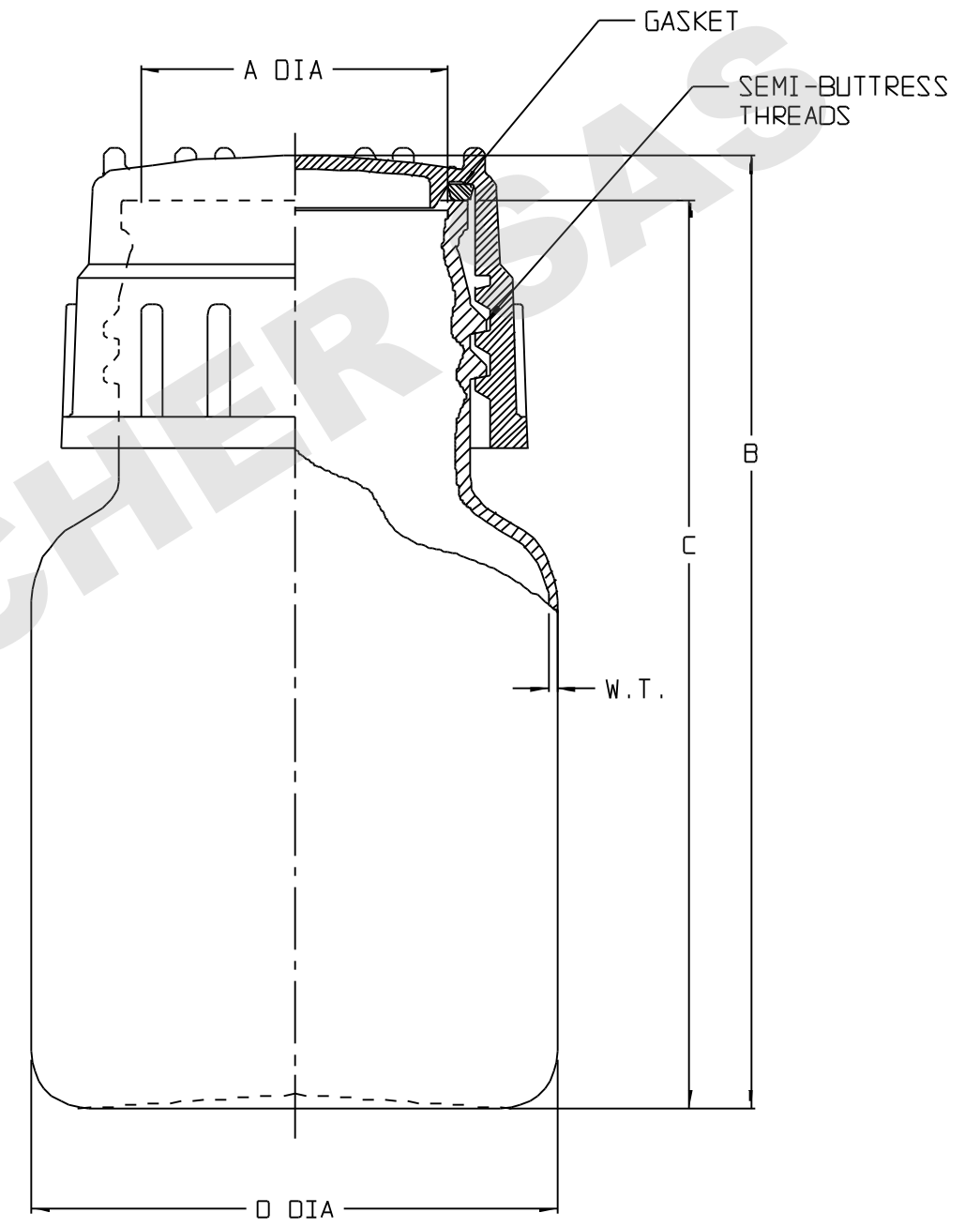


CATALOG NO. .... :	DS2126-0250	
NOM. CAP., (nL/oz).... :	250/8	
MATERIALS	BOTTLE.... :	PP
	CLOSURE.... :	PP
	GASKET.... :	TPE
SIZE (NOM VOL nL/oz).... :	250/8	
NOM. BRIM CAP. (nL).... :	310	
NECK FINISH (mm).... :	53B	
THREAD (T.P.I.).... :	4	
NOM. WEIGHT W/CLOSURE (gms).... :	125	
	INCH	MM
A (NECK I.D.).... :	1.35±.03	34.3 ±0.5
B (HT. W/CLOSURE).... :	5.24±.07	133.1±1.8
C (HT. W/O CLOSURE).... :	4.97±.07	126.2±1.8
D (DIA).... :	2.89±.05	73.4 ±1.3
W.T.(NOM. WALL THK).... :	0.12	3.05



SPECS ON BACK

NOT TO SCALE

NOTES:

1. ALL DIMENSIONS ARE NOMINAL AND IN INCHES AND MILLIMETERS UNLESS OTHERWISE NOTED.
2. THIS IS NOT A PRODUCTION DRAWING, BUT IS FOR INFORMATIONAL PURPOSES ONLY, AND IS SUBJECT TO CHANGE WITHOUT NOTICE.

CONFIDENTIAL

THIS PRODUCT SPECIFICATION SHEET CONTAINS CONFIDENTIAL AND/OR PROPRIETARY INFORMATION AND IS TO BE USED ONLY FOR THE EXPRESSED PURPOSES AGREED UPON BY AN AUTHORIZED OFFICER OF THERMO FISHER SCIENTIFIC.

**ThermoFisher**  
**SCIENTIFIC**

Thermo Fisher Scientific  
75 Panorama Creek Drive  
Rochester, NY 14625-2385, USA

MADE	MC <sup>2</sup>	APP'D	PVC	PSS DS-2126-0250	REV.
CHK'D	PVC		3/29/99		0399

DESCRIPTION:  
HEAVY DUTY VACUUM BOTTLE, 250mL