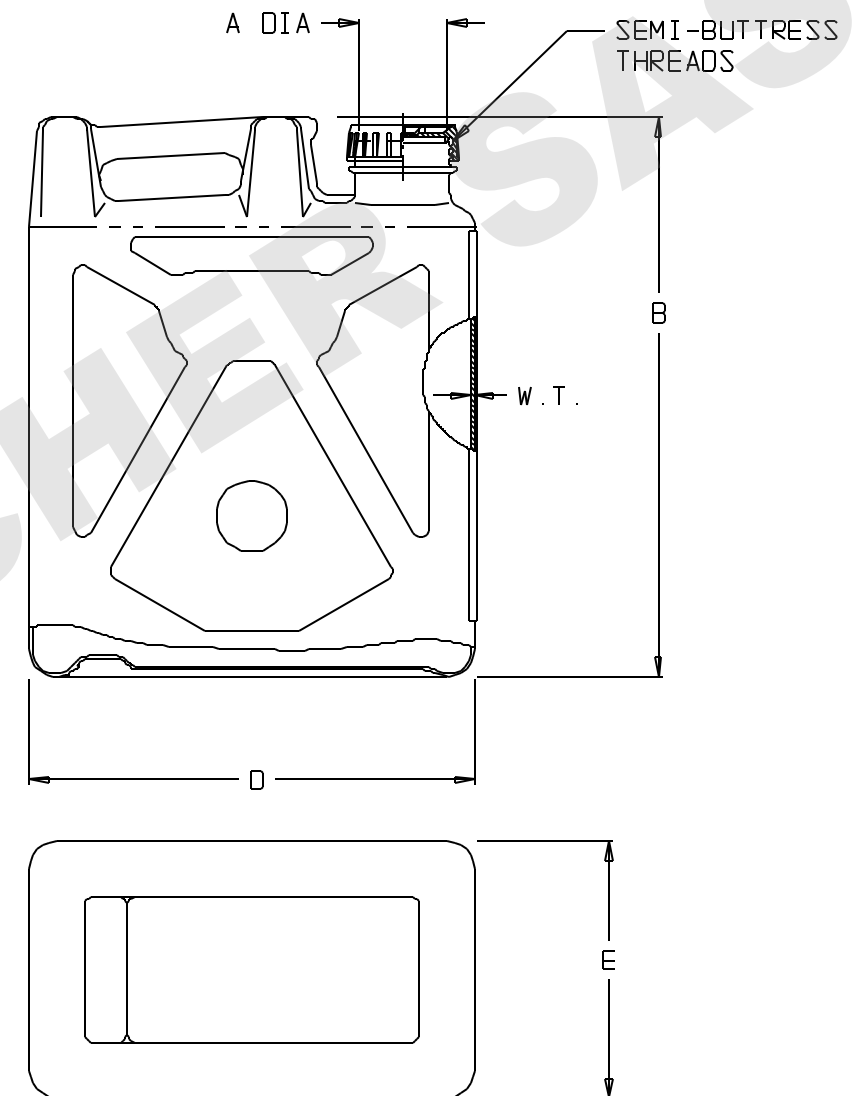


CATALOG NO.	NOMINAL CAPACITY (GAL)	MATERIALS	
		CARBOY	CLOSURE
002214	5	HDPE	HDPE

SIZE CODE.....	-0050
SIZE (NOM VOL L/GAL):	20/5
NOM BRIM CAP (L).....	20.2
NECK FINISH (mm).....	70
THREAD (T.P.I.).....	4
NOM. WEIGHT W/ CLOSURE(gms).....	2300
A (NECK I.D.).....	2.32 ±.05
B (OVERALL HEIGHT)...	15.6 ±.4
D (WIDTH).....	12.56 ±.25
E (DEPTH).....	9.08 ±.20
W.T.(NOM WALL THK)...	0.10

NOTES:

1. ALL DIMENSIONS ARE NOMINAL AND IN INCHES AND MILLIMETERS UNLESS OTHERWISE NOTED.
2. THIS IS NOT A PRODUCTION DRAWING, BUT IS FOR INFORMATIONAL PURPOSES ONLY, AND IS SUBJECT TO CHANGE WITHOUT NOTICE.



SPECS ON BACK

NOT TO SCALE

CONFIDENTIAL

THIS PRODUCT SPECIFICATION SHEET CONTAINS CONFIDENTIAL AND/OR PROPRIETARY INFORMATION AND IS TO BE USED ONLY FOR THE EXPRESSED PURPOSES AGREED UPON BY AN AUTHORIZED OFFICER OF THERMO FISHER SCIENTIFIC.

ThermoFisher
SCIENTIFIC

Thermo Fisher Scientific
75 Panorama Creek Drive
Rochester, NY 14625-2385, USA

MADE	MCC	APP'D	PVC	PSS 00-2214-0050	REV.	—
CK'D	PVC		2/15/91			
DESCRIPTION:				OOT-34-5 RECTANGULAR CARBOY		