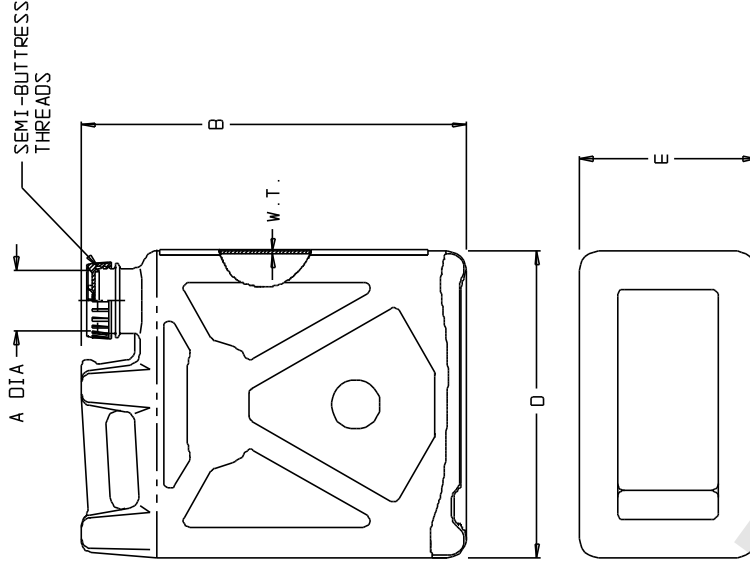


CATALOG NO.	NOMINAL CAPACITY (GAL)	MATERIALS	
		CARBOY	CLOSURE
002214	5	HOPE	HOPE

SIZE CODE.....	-0050
SIZE (NOM VOL L/GAL):	20/5
NOM BRIM CAP (L).....	20.2
NECK FINISH (mm).....	70
THREAD (T.P.I.).....	4
NOM. WEIGHT W/ CLOSURE(gms).....	2300
A (NECK I.D.).....	2.32 ±.05
B (OVERALL HEIGHT)...	15.6 ±.4
D (WIDTH).....	12.56 ±.25
E (DEPTH).....	9.08 ±.20
W.T.(NOM WALL THK)...	0.10

NOTES:

1. ALL DIMENSIONS ARE NOMINAL AND IN INCHES AND MILLIMETERS UNLESS OTHERWISE NOTED.
2. THIS IS NOT A PRODUCTION DRAWING, BUT IS FOR INFORMATIONAL PURPOSES ONLY, AND IS SUBJECT TO CHANGE WITHOUT NOTICE.



SPECS ON BACK

NOT TO SCALE

**ThermoFisher**  
**SCIENTIFIC**

Thermo Fisher Scientific  
75 Pancosmo Creek Drive  
Rochester, NY 14625-2385, USA

NAME	MCC	APP'D PVC	DATE	REV.
DESCRIPTION:	PVC	2/15/91	PSS 00-2214-0050	—

DOT-34-5

RECTANGULAR CARBOY

CONFIDENTIAL

THIS PRODUCT SPECIFICATION SHEET CONTAINS CONFIDENTIAL AND/OR PROPRIETARY INFORMATION AND IS TO BE USED ONLY FOR THE EXPRESSED PURPOSES AGREED UPON BY AN AUTHORIZED OFFICER OF THERMO FISHER SCIENTIFIC.