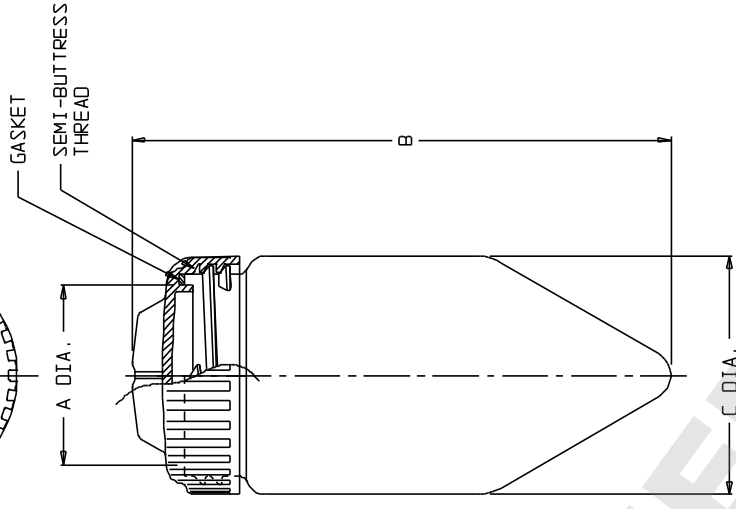
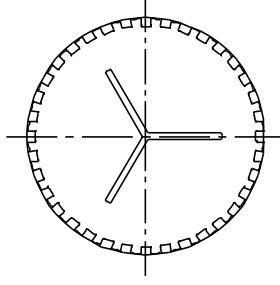


CATALOG NO.....	3143-0175
SIZE (NOM VOL mL)...	175
CLOSURE SIZE (mm)...	58
	INCH
	MM
A (NECK I.D.).....	1.83
	46.5
B (HT. W/CLOSURE)...	5.49 ± .05
	139.4 ± 1.3
C (DIA).....	2.432 ^{+ .000} _{-.038}
	61.77 ^{+ .00} _{-.76}
MATERIALS	
CLOSURE.....	PP
GASKET.....	RED SILICONE
BOTTLE.....	PPCO

NOTES:

1. ALL DIMENSIONS ARE NOMINAL AND IN INCHES AND MILLIMETERS UNLESS OTHERWISE NOTED.
2. THIS IS NOT A PRODUCTION DRAWING, BUT IS FOR INFORMATIONAL PURPOSES ONLY, AND IS SUBJECT TO CHANGE WITHOUT NOTICE.



SPECS ON BACK

NOT TO SCALE

NOT TO SCALE

CONFIDENTIAL

THIS PRODUCT SPECIFICATION SHEET CONTAINS CONFIDENTIAL AND/OR PROPRIETARY INFORMATION AND IS TO BE USED ONLY FOR THE EXPRESSED PURPOSES AGREED UPON BY AN AUTHORIZED OFFICER OF THERMO FISHER SCIENTIFIC.

Thermo Fisher Scientific
75 Pancromo Creek Drive
Rochester, NY 14625-2385, USA

NAME	JGJ	APP'D	PVC	PSS 00-3143-0175	REV	0495
CR'D	PVC		4/6/95			

DESCRIPTION:
CONICAL-BOTTOM
CENTRIFUGE BOTTLE