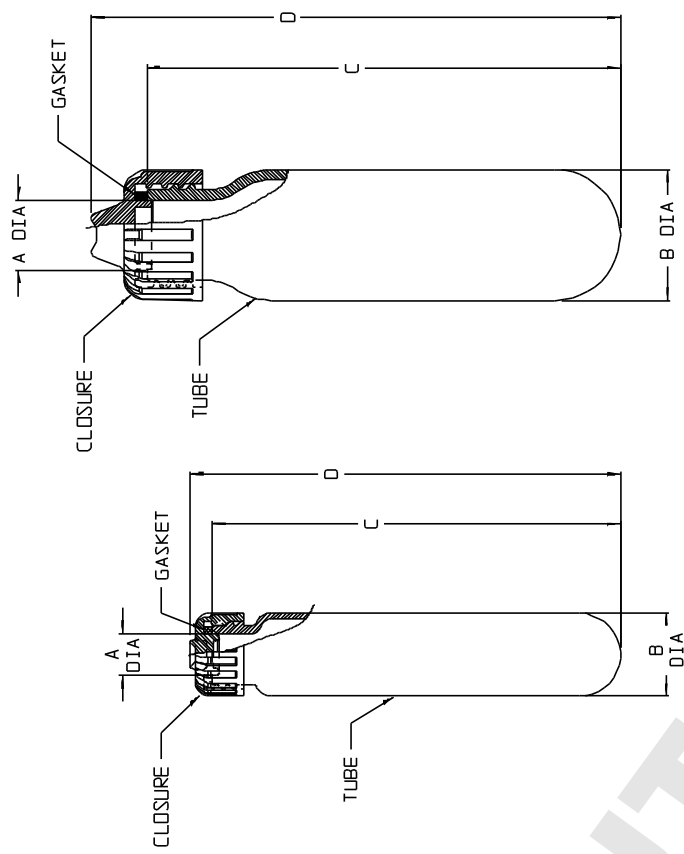


CATALOG NUMBER.....	3139-0010	3139-0016		
NOM. CAP. (mL).....	10	16		
TUBE.....	PPCO	PPCO		
MATERIALS	RED SILICONE	RED SILICONE		
GASKET.....	WHITE PP	WHITE PP		
CLOSURE.....	13	15		
CLOSURE SIZE (mm).....	4	7		
NOM. WEIGHT W/ GASKET & CLOSURE.....	INCH	MM		
A (NECK I.D.).....	0.32	8.1	0.38	9.6
B (TUBE O.D.).....	.635 <sup>+0</sup> <sub>-.02</sub>	16.13 <sup>+0</sup> <sub>-.05</sub>	.715 <sup>+0</sup> <sub>-.03</sub>	18.16 <sup>+0</sup> <sub>-.08</sub>
C (HT. W/O CLOSURE).....	3.09	78.5	3.83	97.3
D (HT. W/ CLOSURE).....	3.26	82.8	4.19	106.4

CATALOG NUMBER.....	3139-0030	3139-0050		
NOM. CAP. (mL).....	30	50		
TUBE.....	PPCO	PPCO		
MATERIALS	RED SILICONE	RED SILICONE		
GASKET.....	WHITE PP	WHITE PP		
CLOSURE.....	20	24		
CLOSURE SIZE (mm).....	11	18		
NOM. WEIGHT W/ GASKET & CLOSURE.....	INCH	MM		
A (NECK I.D.).....	0.54	13.7	0.64	16.3
B (TUBE O.D.).....	1.016 <sup>+0</sup> <sub>-.04</sub>	25.81 <sup>+0</sup> <sub>-.10</sub>	1.135 <sup>+0</sup> <sub>-.04</sub>	28.83 <sup>+0</sup> <sub>-.10</sub>
C (HT. W/O CLOSURE).....	3.60	91.4	4.06	103.1
D (HT. W/ CLOSURE).....	4.02	102.1	4.47	113.5

- NOTES:
1. ALL DIMENSIONS ARE NOMINAL AND IN INCHES AND MILLIMETERS UNLESS OTHERWISE NOTED.
  2. THIS IS NOT A PRODUCTION DRAWING, BUT IS FOR INFORMATIONAL PURPOSES ONLY, AND IS SUBJECT TO CHANGE WITHOUT NOTICE.



CAT. NO. 3139-0010

CAT. NO. 3139-0016  
3139-0030  
3139-0050  
(TYP)

SPECS ON BACK

NOT TO SCALE

CONFIDENTIAL  
THIS PRODUCT SPECIFICATION SHEET CONTAINS CONFIDENTIAL AND/OR PROPRIETARY INFORMATION AND IS TO BE USED ONLY FOR THE EXPRESSED PURPOSES AGREED UPON BY AN AUTHORIZED OFFICER OF THERMO FISHER SCIENTIFIC.

**ThermoFisher**  
SCIENTIFIC

Thermo Fisher Scientific  
75 Panorama Creek Drive  
Rochester, NY 14625-2385, USA

MAKE	TL	APP'D	REV.
REV.	OV	GRP	1009
DATE	10/23/09	PSS	00-3139-00XX-1

DESCRIPTION:  
OAK RIDGE CENTRIFUGE TUBES  
WITH SEALING CAP