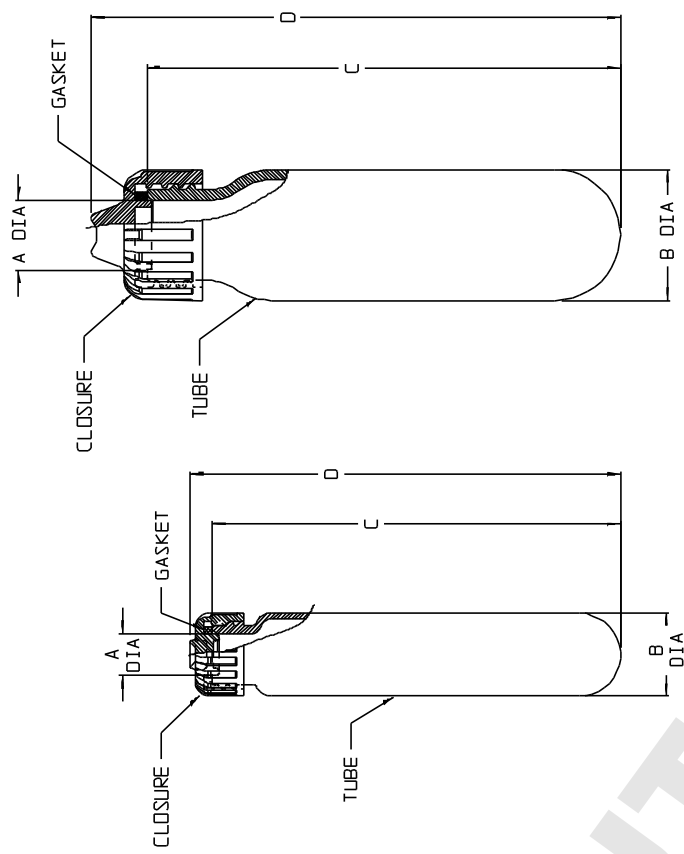


CATALOG NUMBER.....	3139-0010	3139-0016		
NOM. CAP. (mL).....	10	16		
TUBE.....	PPCO	PPCO		
GASKET.....	RED SILICONE	RED SILICONE		
CLOSURE.....	WHITE PP	WHITE PP		
CLOSURE SIZE (mm).....	13	15		
NOM. WEIGHT W/ GASKET & CLOSURE.....	4	7		
	INCH	MM		
A (NECK I.D.).....	0.32	8.1	0.38	9.6
B (TUBE O.D.).....	.635 ⁺⁰ _{-.02}	16.13 ⁺⁰ _{-.05}	.715 ⁺⁰ _{-.03}	18.16 ⁺⁰ _{-.08}
C (HT. W/O CLOSURE).....	3.09	78.5	3.83	97.3
D (HT. W/ CLOSURE).....	3.26	82.8	4.19	106.4

CATALOG NUMBER.....	3139-0030	3139-0050		
NOM. CAP. (mL).....	30	50		
TUBE.....	PPCO	PPCO		
GASKET.....	RED SILICONE	RED SILICONE		
CLOSURE.....	WHITE PP	WHITE PP		
CLOSURE SIZE (mm).....	20	24		
NOM. WEIGHT W/ GASKET & CLOSURE.....	11	18		
	INCH	MM		
A (NECK I.D.).....	0.54	13.7	0.64	16.3
B (TUBE O.D.).....	1.016 ⁺⁰ _{-.04}	25.81 ⁺⁰ _{-.10}	1.135 ⁺⁰ _{-.04}	28.83 ⁺⁰ _{-.10}
C (HT. W/O CLOSURE).....	3.60	91.4	4.06	103.1
D (HT. W/ CLOSURE).....	4.02	102.1	4.47	113.5

- NOTES:
1. ALL DIMENSIONS ARE NOMINAL AND IN INCHES AND MILLIMETERS UNLESS OTHERWISE NOTED.
 2. THIS IS NOT A PRODUCTION DRAWING, BUT IS FOR INFORMATIONAL PURPOSES ONLY, AND IS SUBJECT TO CHANGE WITHOUT NOTICE.



CAT. NO. 3139-0010

CAT. NO. 3139-0016
3139-0030
3139-0050
(TYP)

SPECS ON BACK

NOT TO SCALE

CONFIDENTIAL
THIS PRODUCT SPECIFICATION SHEET CONTAINS CONFIDENTIAL AND/OR PROPRIETARY INFORMATION AND IS TO BE USED ONLY FOR THE EXPRESSED PURPOSES AGREED UPON BY AN AUTHORIZED OFFICER OF THERMO FISHER SCIENTIFIC.

ThermoFisher
SCIENTIFIC

Thermo Fisher Scientific
75 Panorama Creek Drive
Rochester, NY 14625-2385, USA

MAKE	TL	APP'D	REV.
REV.	OV	GRP	1009
DATE	10/23/09	PSS	00-3139-00XX-1

DESCRIPTION:
OAK RIDGE CENTRIFUGE TUBES
WITH SEALING CAP